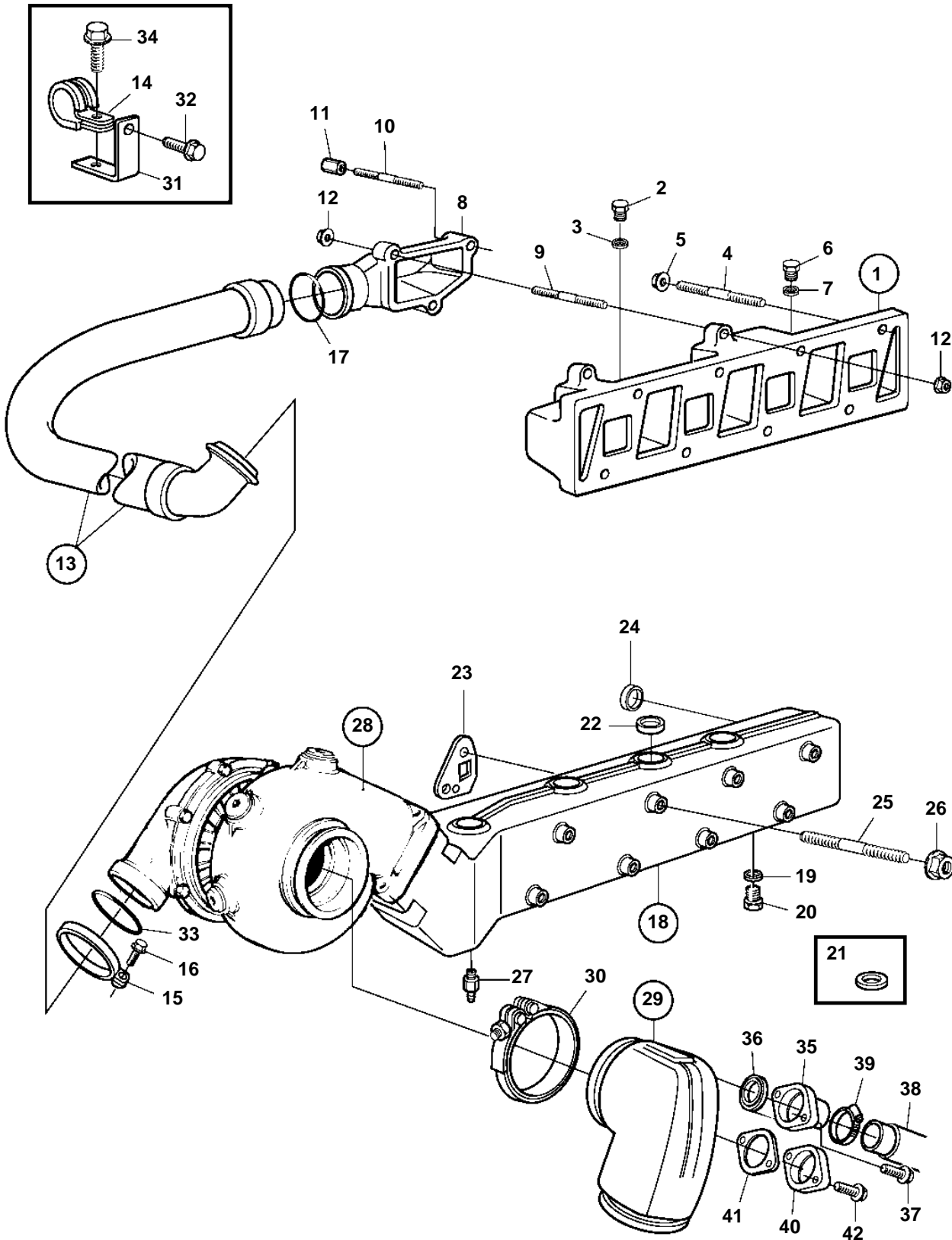


TMD31L-A



22787

TMD31L-A

REF	PART NO.	QTY	DESCRIPTION	SEE SEC.	NOTES
1	859299	1	Inlet pipe		
2	960634	4	• Plug		
3	947627	4	• Gasket		
4	980226	6	Stud		
5	945408	6	Flange nut		
6	960632	1	Plug		
7	11998	1	Gasket		
8	838857	1	Pipe connection		
9	984130	2	Stud		L=110mm (980227)
10	953049	1	Stud		L=50mm
11	855314	1	Nut		
12	945408	3	Flange nut		
13	838867	1	Connection pipe		
14	32447	1	• Clamp		
15	838864	1	Clamp		
16	947542	1	Screw		
17	864723	1	Sealing ring		
18	861619	1	Exhaust pipe		REPL BY 876953
	876953	1	Exhaust pipe		
19	957181	1	• Gasket		
20	960632	1	• Plug		
21	944563	1	• Spacer washer		
22	946780	7	Cap plug		For 861619
23	876144	4	Gasket kit		
24	838766	1	Sealing ring		
25	953007	1	Stud		L=150mm. For earlier version of expansion tank.
	980835	1	Stud		L=155mm. For later version of expansion tank.
	953003	1	Stud		L=130mm
	953001	1	Stud		L=120mm
	953001	1	Stud		L=120mm. For earlier version of expansion tank.
	952999	4	Stud		L=110mm. For earlier version of expansion tank.
	952999	3	Stud		L=110mm. For later version of expansion tank.
	953005	1	Stud		L=140mm. For later version of expansion tank.
26	971095	8	Nut		
27	949918	1	Drain cock		
28		1	Turbo	1695	
29	859963	1	Exhaust riser		
30	842993	1	Clamp		
31	838866	1	Bracket		
32	946470	1	Flange screw		
33	967944	1	O-ring		
34	946173	1	Flange screw		
35	858659	1	Hose connection		
36	842913	1	Sealing ring		
37	946544	2	Flange screw		
38	944386	1	Hose		L=370mm. Heat exchanger-exhaust riser.
39	943475	1	Hose clamp		
40	844093	1	Flange		
41	859002	1	Gasket		
42	946544	2	Flange screw		