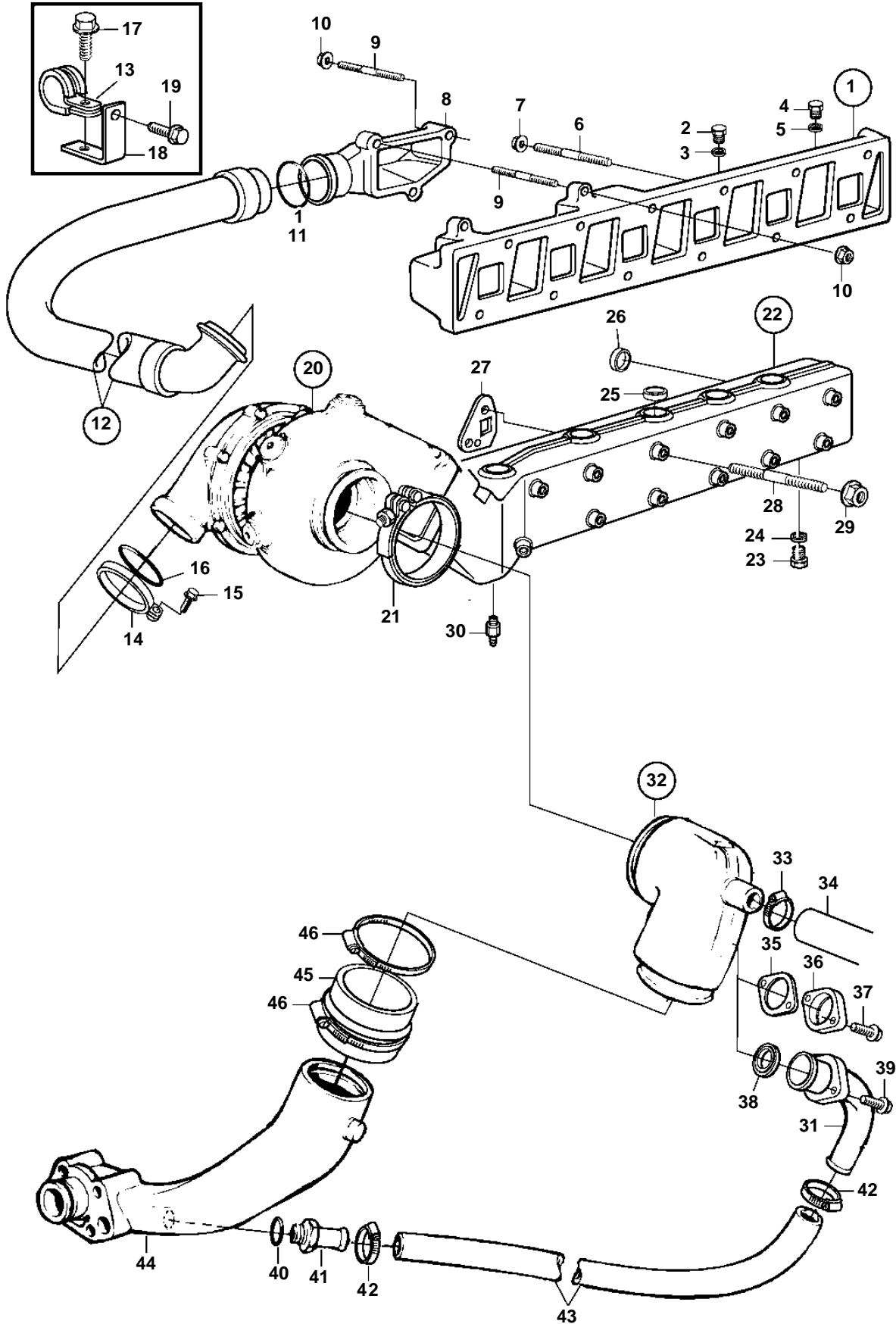


AD41L-A



22809

AD41L-A

REF	PART NO.	QTY	DESCRIPTION	NOTES
1	859300	1	Inlet pipe	
2	960634	4	• Plug	
3	947627	4	• Gasket	
4	960632	1	Plug	
5	11998	1	Gasket	
6	980226	9	Stud	L=50mm
	984130	1	Stud	
7	945408	10	Flange nut	L=110mm (980227)
8	838857	1	Pipe connection	
9	953049	1	Stud	L=50mm
	984130	2	Stud	L=110mm (980227)
10	945408	3	Flange nut	
11	864723	1	Sealing ring	
12	838867	1	Connection pipe	
13	32447	1	• Clamp	
14	838864	1	Clamp	
15	947542	1	Screw	
16	967944	1	O-ring	
17	946671	1	Flange screw	
18	838866	1	Bracket	
19	946470	1	Flange screw	
20		1	Turbo	
21	842993	1	Clamp	
22	876823	1	Exhaust pipe	REPL BY 877067
	877067	1	Exhaust pipe	
23	960631	1	• Plug	
	960632	1	• Plug	
24	11996	1	• Gasket	
	11998	1	• Gasket	
25	946780	11	• • Cap plug	
26	838766	1	Sealing ring	
27	876144	6	Gasket kit	
28	953001	8	Stud	L=120mm
	953002	2	Stud	L=125mm. For earlier version of expansion tank.
	953002	1	Stud	L=125mm. For later version of expansion tank.
	953003	1	Stud	L=130mm
	953005	1	Stud	L=140mm. For later version of expansion tank.
	953007	1	Stud	L=150mm. For earlier version of expansion tank.
	980835	1	Stud	L=155mm. For later version of expansion tank.
29	971095	12	Nut	
30	949918	1	Drain cock	
31	844258	1	Coolant pipe	
32	860656	1	Riser	D=32mm, REPL BY 861289
	861289	1	Exhaust riser	D=38mm
33	943476	1	Hose clamp	FOR 860656
	943477	1	Hose clamp	FOR 861289
34	860828	1	Hose	I.D=32mm, FOR 860656. Heat exchanger-exhaust riser.
	3581065	1	Hose	I.D=38mm, FOR 861289. Heat exchanger-exhaust riser.
35	859002	1	Gasket	
36	844093	1	Flange	
37	946544	2	Flange screw	
38	842913	1	Sealing ring	
39	946544	2	Flange screw	
40	958228	1	O-ring	
41	873221	1	Nipple	
42	853548	2	Hose clamp	
43	944386	X	Hose	L=720mm
44		1	Exhaust pipe	SEE GROUP 44
45	860396	1	Exhaust hose	
46	982694	4	Hose clamp	(981239)