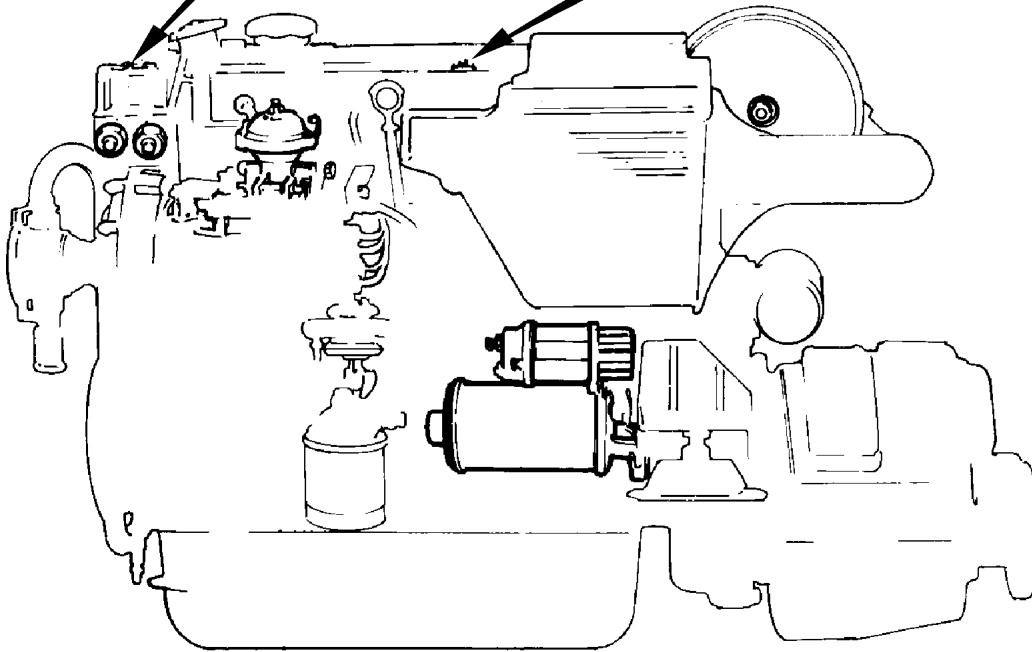
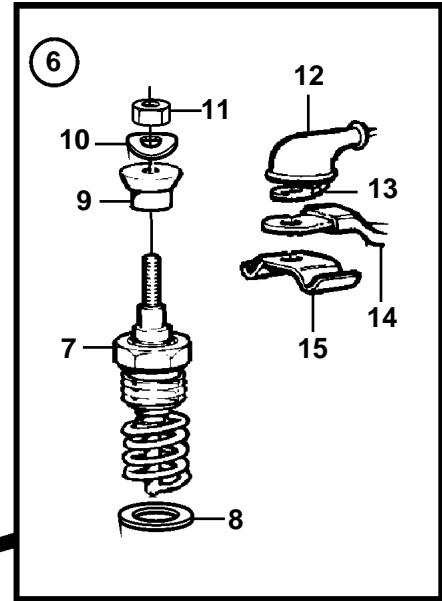
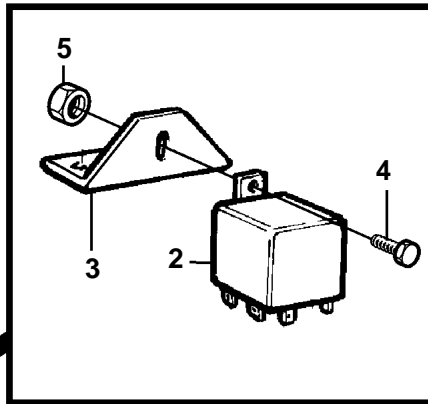
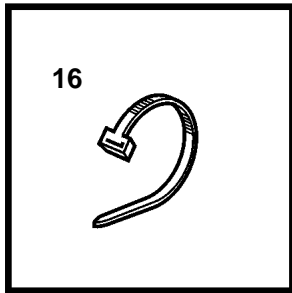


AD31P-A, AD31L-A, TAMD31L-A, TAMD31M-A, TAMD31S-A, TMD31L-A, D41L-A, AD41P-A, AD41L-A, TAMD41P-A, TAMD41L-A, TAMD41M-A, TAMD41H-A, TAMD41H-B, TMD41L-A

①



AD31P-A, AD31L-A, TAMD31L-A, TAMD31M-A, TAMD31S-A, TMD31L-A, D41L-A, AD41P-A, AD41L-A, TAMD41P-A, TAMD41L-A, TAMD41M-A, TAMD41H-A, TAMD41H-B, TMD41L-A

REF	PART NO.	QTY	DESCRIPTION	NOTES
1	860935	1	Heater plug kit	REPL BY 874117. For 12 voltage electric system.
	874117	1	Heater plug kit	For 12 voltage electric system.
2	873740	1	• Relay	
3	858937	1	• Bracket	FOR 860935
4	969405	1	• 6 point socket screw	FOR 860935
	968476	1	• Flange screw	
5	965483	1	• Nut	FOR 860935
6	876132	1	• Heater plug kit	
7		2	• • Glow plug	
8	859211	2	• • Sealing ring	
9	859328	2	• • Thrust sleeve	
10	941905	2	• • Spring washer	
11	965483	2	• • Nut	
12	673580	1	• Rubber collar	
13	860173	1	• Cable kit	ALT
14	859450	1	• Rail	ALT
15	860044	1	• Bridge	ALT
16	948211	3	Strip clamp	