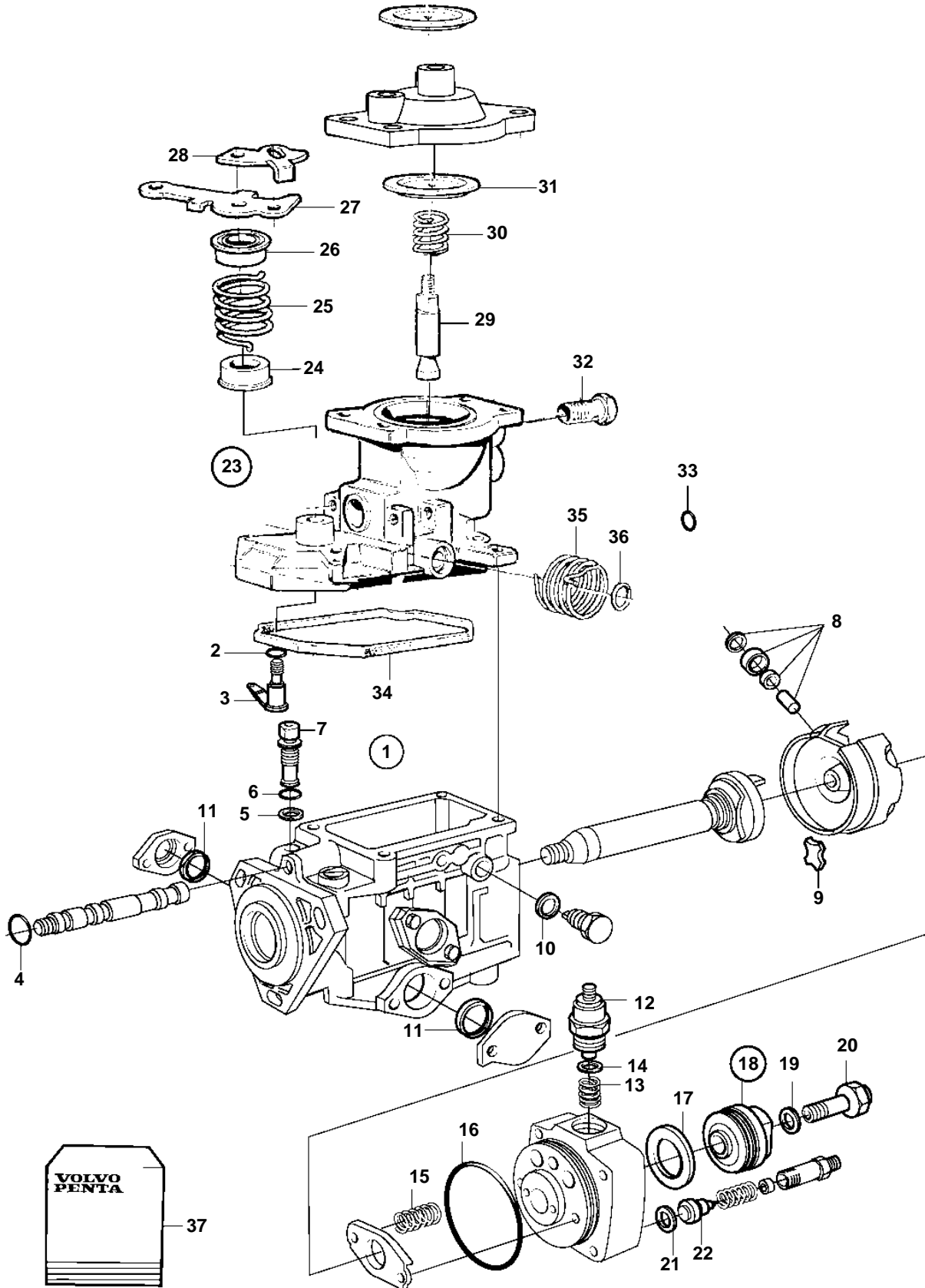


TAMD41P-A



TAMD41P-A

REF	PART NO.	QTY	DESCRIPTION	NOTES
1	861102	1	Injection pump	
2	243567	1	· Sealing ring	Included in gasket kit.
3	244959	1	· Control shaft	
4	243786	1	· O-ring	Included in gasket kit.
5	861520	1	· Sealing ring	Included in gasket kit.
6	243520	1	· Sealing ring	Included in gasket kit.
7	844179	1	· Valve	
8		1	· Bearing	
9	844150	2	· Absorber	Included in gasket kit.
10		2	· Washer	Included in gasket kit.
11	838445	1	· O-ring	Included in gasket kit.
12	876614	1	· Stop solenoid	12V
13	861208	1	· Spring	
14		1	· O-ring	Included in gasket kit.
15	859482	1	· Compression spring	
16		1	· Sealing ring	Included in gasket kit.
17		1	· O-ring	
18		1	· Plug	
19		1	· O-ring	
20		1	· Screw	
21	845738	6	· Washer	
22		6	· Delivery valve	
23		1	· Governor	
24		1	· Spring disc	
25	244967	1	· Spring	
26	244972	1	· Spring disc	
27	244961	1	· Lever	TH = 1,80mm
28	244969	1	· Lever	TH = 1,95mm
29		1	· Screw	TH=2,00mm
30		1	· Spring	TH=2,12mm
31	244944	1	· Diaphragm	TH=2,20mm
32	861514	1	· Hollow screw	TH=2,32mm
33	244963	1	· O-ring	TH=2,40mm. Included in gasket kit.
34		1	· Gasket	TH=2,50mm
35		1	· Spring	TH=2,52mm
36	844224	1	· O-ring	TH=2,80mm. Included in gasket kit.
37	844240	1	Gasket kit	