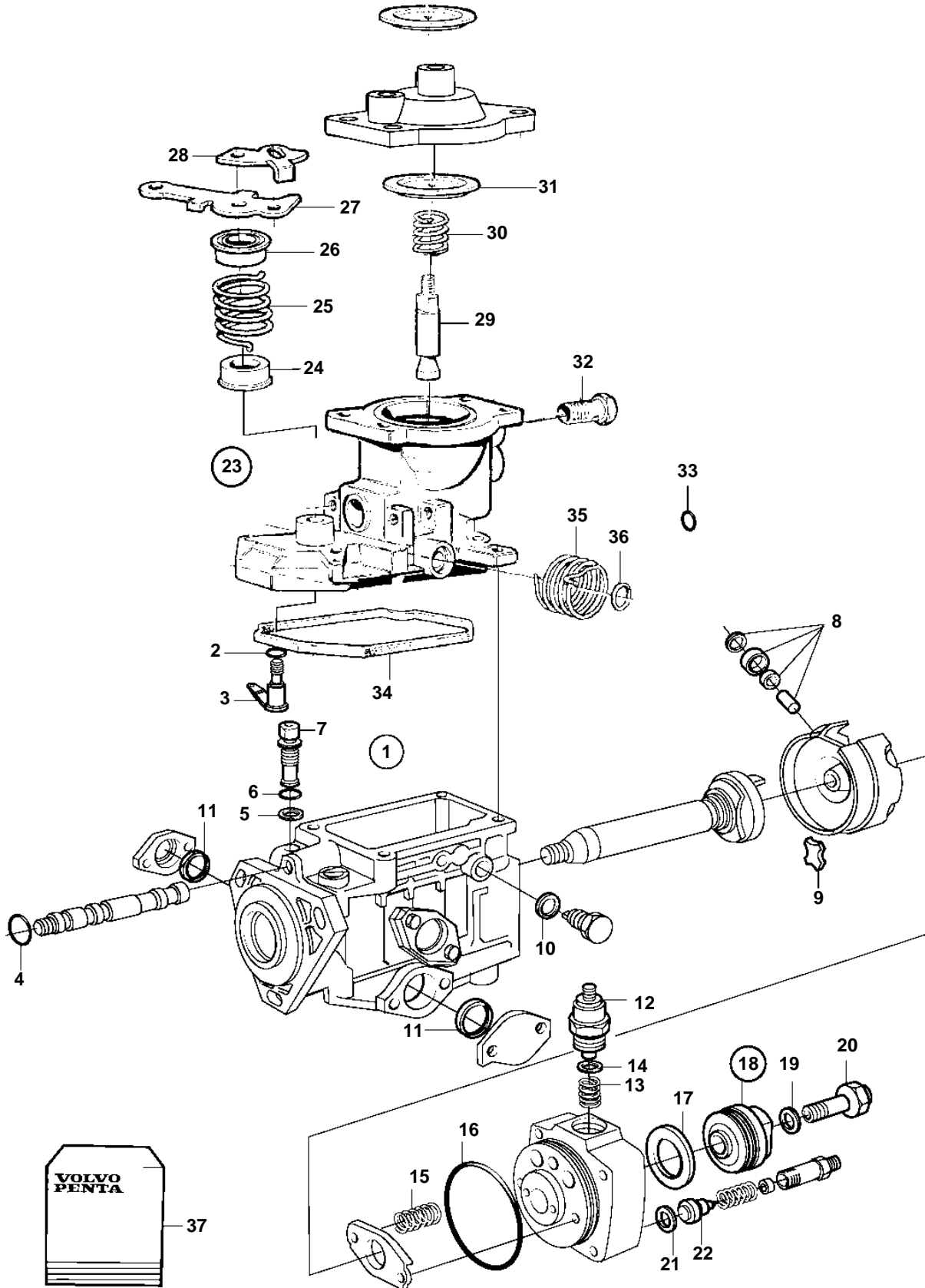


TAMD41M-A



TAMD41M-A

REF	PART NO.	QTY	DESCRIPTION	NOTES
1	860915	1	Injection pump	
2	243567	1	• Sealing ring	Included in gasket kit.
3	244959	1	• Control shaft	
4	243786	1	• O-ring	Included in gasket kit.
5	861520	1	• Sealing ring	Included in gasket kit.
6	243520	1	• Sealing ring	Included in gasket kit.
7	244683	1	• Valve	
8	859288	1	• Spare parts kit	
9	844150	2	• Absorber	Included in gasket kit.
10	1699759	2	• Sealing washer	Included in gasket kit.
11	838445	1	• O-ring	Included in gasket kit.
12	876614	1	• Stop solenoid	12V
13	861208	1	• • Spring	
14		1	• O-ring	Included in gasket kit.
15	844164	1	• Spring kit	
16		1	• Sealing ring	Included in gasket kit.
17		1	• O-ring	L=36,50mm
18		1	• Plug	
19	947620	1	• Gasket	L=36,70mm
20		1	• Screw	
21	845738	6	• Washer	
22	244927	6	• Delivery valve	
23		1	• Governor	
24	1699835	1	• Spring disc	
25	244967	1	• Spring	
26	244972	1	• Spring disc	
27	244961	1	• Lever	TH = 1,80mm
28	244969	1	• Lever	TH = 1,95mm
29		1	• Screw	TH=2,00mm
30		1	• Compression spring	TH=2,12mm
		1	• Compression spring	TH=2,20mm
		1	• Compression spring	TH=2,32mm
31	244944	1	• Diaphragm	TH=2,40mm
32	844237	1	• Hollow screw	TH=2,50mm
33	244963	1	• O-ring	TH=2,52mm. Included in gasket kit.
34	845785	1	• Gasket	TH=2,80mm
35		1	• Spring	
36	844224	1	• O-ring	Included in gasket kit.
37	844240	1	Gasket kit	