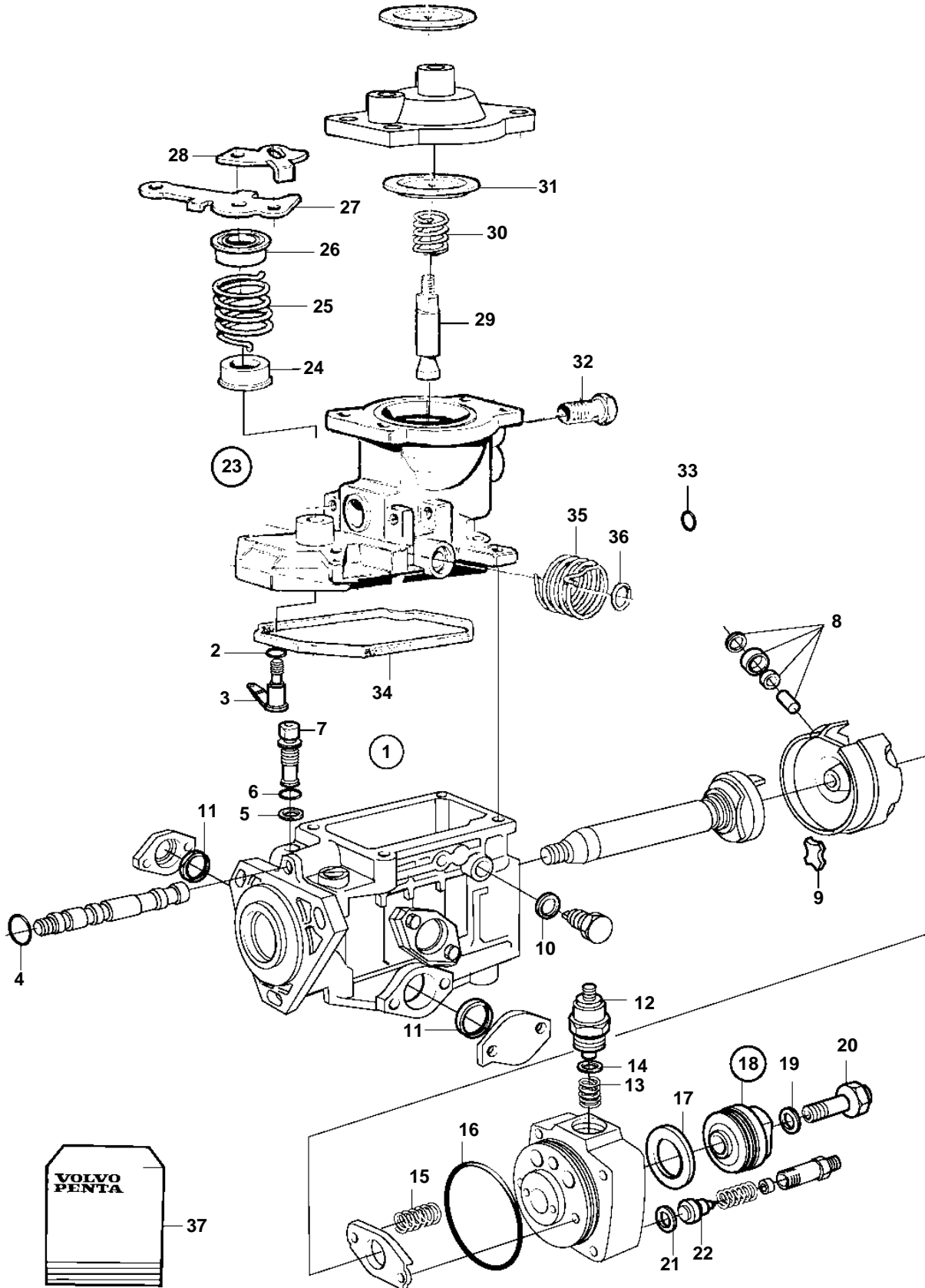


TAMD31M-A, AD31P-A



TAMD31M-A, AD31P-A

REF	PART NO.	QTY	DESCRIPTION	NOTES
1	860914	1	Injection pump	
2	243567	1	• Sealing ring	
3	244959	1	• Control shaft	
4	243786	1	• O-ring	Included in gasket kit.
5	861520	1	• Sealing ring	Included in gasket kit.
6	243520	1	• Sealing ring	Included in gasket kit.
7	244683	1	• Valve	
8		1	• Bearing kit	
9	844150	2	• Absorber	Included in gasket kit.
10	1699759	2	• Sealing washer	Included in gasket kit.
11	838445	2	• O-ring	Included in gasket kit.
12	876614	1	• Stop solenoid	ALT, 12V
	876615	1	• Stop solenoid	ALT,24V. Not included in complete injection pump.
13	861208	1	• • Spring	
14		1	• O-ring	
15	859353	1	• Spring kit	
16		1	• Sealing ring	
17		1	• O-ring	Included in gasket kit.
18		1	• Plug	
19	947620	1	• • Gasket	
20		1	• • Screw	
21	845738	4	• Washer	
22	244927	4	• Delivery valve	
23		1	• Governor	
24		1	• Spring disc	
25	859339	1	• Spring	
26	244972	1	• Spring disc	
27	244961	1	• Lever	
28	244969	1	• Lever	
29		1	• Screw	
30		1	• Compression spring	
		1	• Compression spring	
		1	• Compression spring	
31	244944	1	• Diaphragm	
32	844237	1	• Hollow screw	
33	244963	1	• O-ring	Included in gasket kit.
34	845785	1	• Gasket	
35		1	• Spring	
36	844224	1	• O-ring	Included in gasket kit.
37	844240	1	Gasket kit	