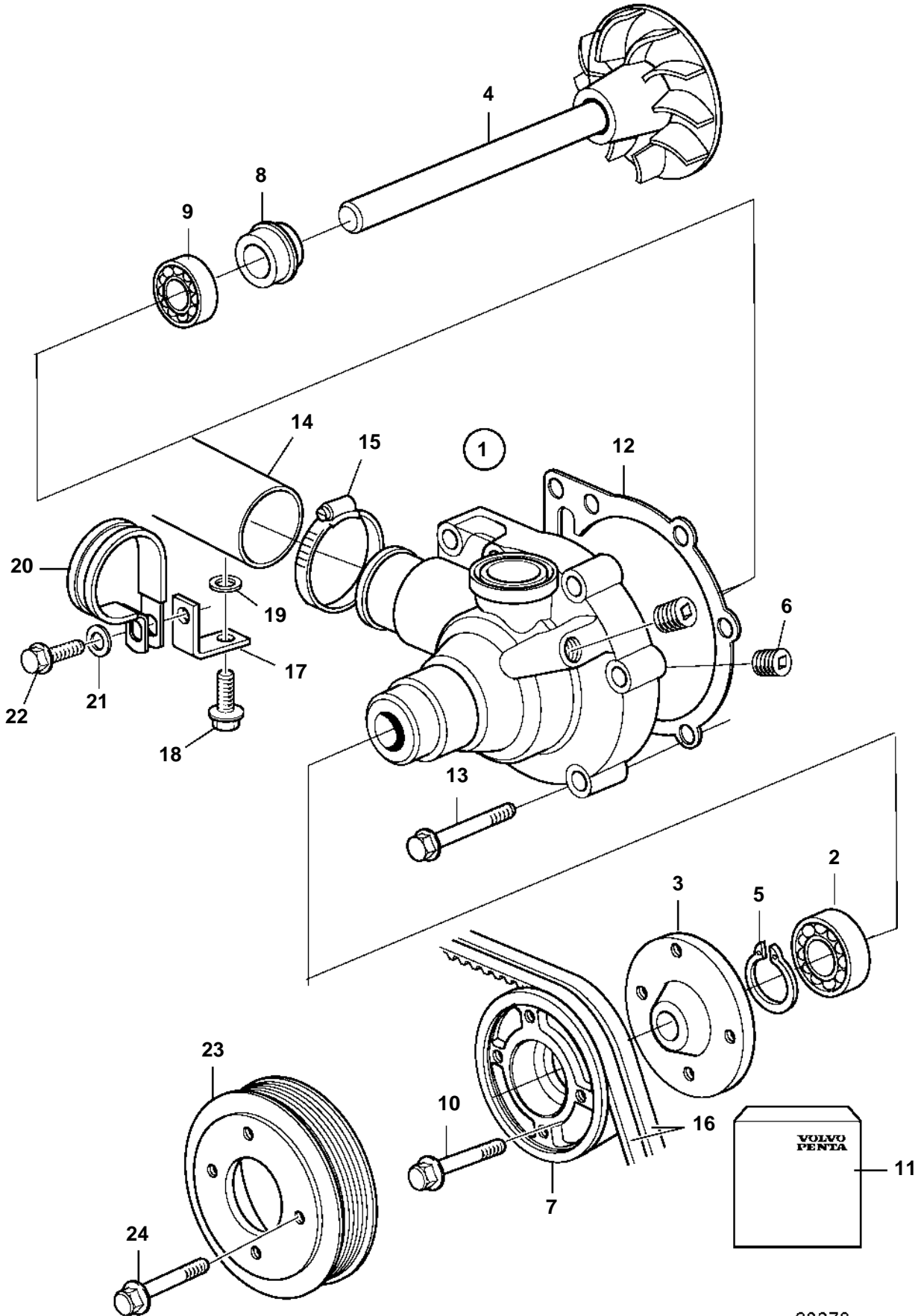


TMD41L-A, TAMD41P-A, TAMD41L-A, TAMD41M-A, TAMD41H-A, TAMD41H-B, D41L-A, AD41P-A, AD41L-A



23076

TMD41L-A, TAMD41P-A, TAMD41L-A, TAMD41M-A, TAMD41H-A, TAMD41H-B, D41L-A, AD41P-A, AD41L-A

REF	PART NO.	QTY	DESCRIPTION	SEE SEC.	NOTES
1	3580765	1	Water pump		Replaced by 1 pc 3809412, coolant pump, 1 pc 3588383, pulley and 4 pcs 946173, flange screw.
	3809412	1	Circulation pump		
	3803869	1	Circ. pump, exch		Exchange unit
2	181538	1	· Ball bearing		EARLY TYPE. Included in overhaul kit.
3	860455	1	· Hub		EARLY TYPE
4		1	· Shaft		EARLY TYPE. Included in overhaul kit.
5	914462	1	· Lock ring		EARLY TYPE. Included in overhaul kit.
6	479977	1	· Plug		EARLY TYPE
7	1542235	1	· Pulley		EARLY TYPE
8	1676432	1	· Sealing ring		EARLY TYPE. Included in overhaul kit.
9	1660609	1	· Ball bearing		EARLY TYPE. Included in overhaul kit.
10	946173	4	· Flange screw		EARLY TYPE
11	876794	1	Repair kit	1792	
12	859027	1	Gasket		Included in overhaul kit.
13	947760	6	Flange screw		
14	861113	1	Hose		Heat exchanger-expansion tank-water pump.. For earlier version of expansion tank.
	3581098	1	Hose		Heat exchanger-expansion tank-water pump.. For later version of expansion tank.
15	943478	1	Clamp		
16	966978	1	V-belt kit		
17	846780	1	Bracket		
18	965181	1	Screw		SEE GROUP 21
19	955894	1	Washer		
20	952635	1	Clamp		
21	955893	1	Washer		
22	948746	1	Flange screw		
23	3588383	1	Pulley		LATE TYPE
24	946173	4	Flange screw		LATE TYPE