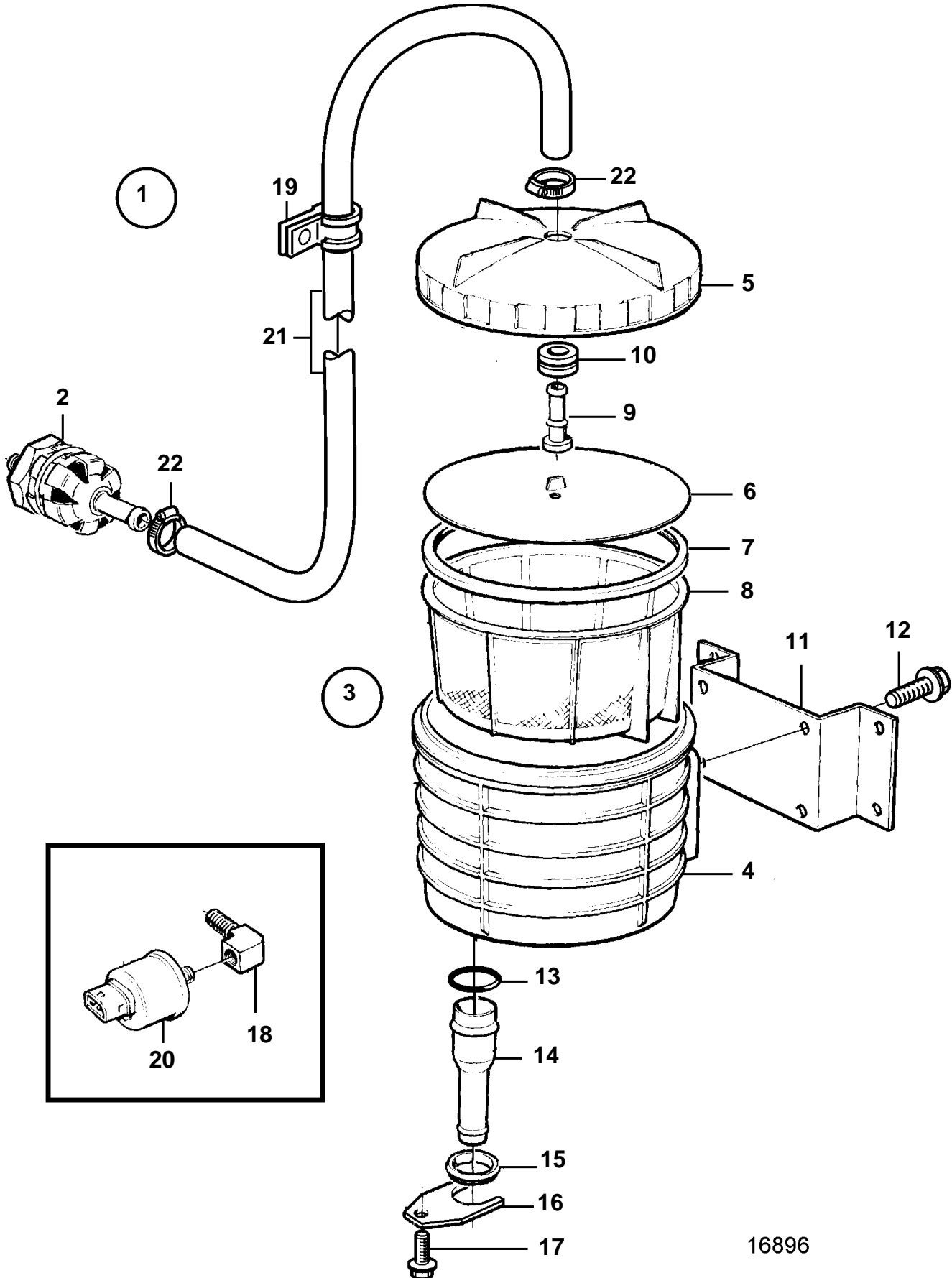


TMD31L-A, TAMD31P-A, TAMD31L-A, TAMD31M-A, TMD41L-A, TAMD41P-A, TAMD41L-A, TAMD41M-A, TAMD41H-A



16896

TMD31L-A, TAMD31P-A, TAMD31L-A, TAMD31M-A, TMD41L-A, TAMD41P-A, TAMD41L-A, TAMD41M-A, TAMD41H-A

REF	PART NO.	QTY	DESCRIPTION	SEE SEC.	NOTES
1	3581591	1	Vacuum valve kit		
			Bulletin 51-15(1)	51-15(1)-EN	The New Volvo Penta Siphon-Stopper, D31/41/42
2	3581358	1	· Vacuum valve		
3	3581440	1	· Strainer		
4	845338	1	· · Strainer housing		
5	3581440	1	· · Strainer		
6	3581437	1	· · Pressure plate		
7	838977	1	· · Rubber seal		
8	858081	1	· · Strainer		
9	3581439	1	· · Nipple		
10	843109	1	· · Bushing		
11	845960	1	· Bracket		
12	940199	4	· Screw		
13	845354	2	· Sealing ring		
14	847106	1	· Hose connection		L=80mm
	838582	1	· Hose connection		L=125mm
15	847017	2	· Retainer		
16	847018	2	· Brace		
17	940199	2	· Screw		
18	16218	1	· Elbow nipple		
19	952630	2	· Clamp		
20		1	Oil pressure sensor		SE GROUP 30
21	943367	X	Hose		
22	961663	2	Clamp		