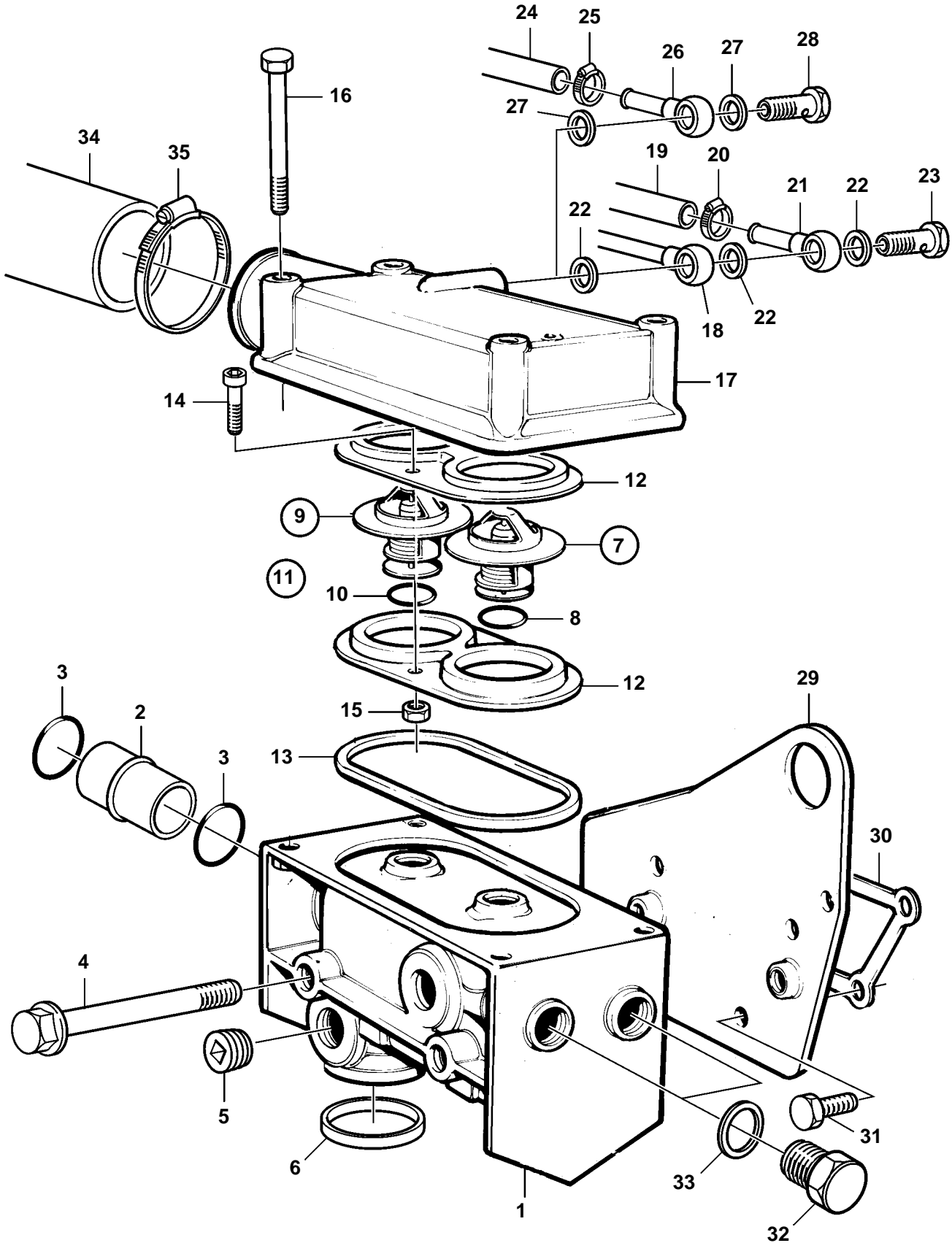


TAMD41P-A, TAMD41L-A, TAMD41M-A, TAMD41H-A, TAMD41H-B



TAMD41P-A, TAMD41L-A, TAMD41M-A, TAMD41H-A, TAMD41H-B

REF	PART NO.	QTY	DESCRIPTION	NOTES
1	3583098	1	Thermostat housing	(838704)
2	838739	1	Tube	
3	968927	2	O-ring	
4	965183	2	Flange screw	
5	479977	2	Plug	
6	3583913	1	Sealing ring	
7	3831424	1	Thermostat kit	81°C (876128)
8	416033	1	· Sealing ring	
9	3831424	1	Thermostat kit	81°C (875849)
10	416033	1	· Sealing ring	
11	876145	1	Retainer kit	
12		2	· Retainer	
13	838807	1	· Sealing ring	
14	963554	2	· Screw	
15	966170	2	· Nut	
16	965217	4	Flange screw	
17	860449	1	Cover	
18	860215	1	Air vent hose	Turbo-thermostat housing.. For earlier version of expansion tank.
19	943366	X	Hose	K.C, L = 2000mm. Expansion tank-thermostat housing.. For earlier version of expansion tank.
20	943470	1	Hose clamp	K.C
21	858750	1	Banjo nipple	K.C
22	11994	2	Gasket	STD
	11994	3	Gasket	K.C
23	969299	1	Hollow screw	STD
	947975	1	Hollow screw	K.C
24	942700	1	Hose	L=660mm. Expansion tank-thermostat housing.. For later version of expansion tank.
25	945652	1	Hose clamp	
26	858750	1	Banjo nipple	
27	11994	2	Gasket	
28	969299	1	Hollow screw	
29	860518	1	Adapter	
30	1542187	1	Gasket	
31	955295	4	Screw	
32	960632	1	Plug	
33	11998	1	Gasket	
34	861110	1	Hose	STD. Thermostat housing-heat exchanger.
	860968	1	Hose	K.C. Thermostat housing-outlet.
35	943478	1	Clamp	