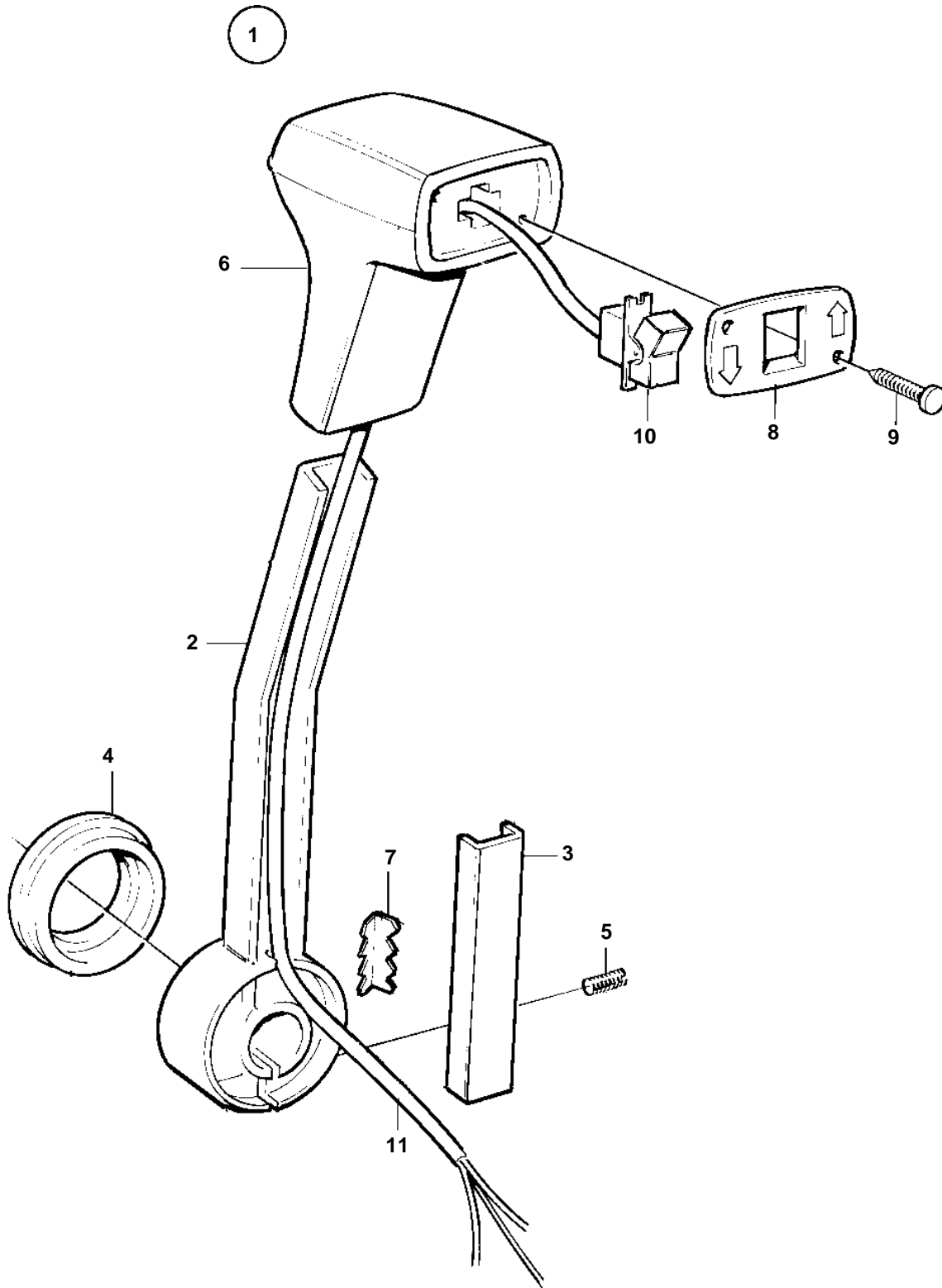


AD31P-A, AD31L-A, TAMD31L-A, TAMD31M-A, TAMD31S-A, TMD31L-A, D41L-A, AD41P-A, AD41L-A, TAMD41P-A, TAMD41L-A, TAMD41M-A, TAMD41H-A, TAMD41H-B, TMD41L-A



AD31P-A, AD31L-A, TAMD31L-A, TAMD31M-A, TAMD31S-A, TMD31L-A, D41L-A, AD41P-A, AD41L-A, TAMD41P-A, TAMD41L-A, TAMD41M-A, TAMD41H-A, TAMD41H-B, TMD41L-A

REF	PART NO.	QTY	DESCRIPTION
1	1140042	1	Lever
2			Lever
3	852991	1	· Rail
4	852995	1	· Ring
5	963678	1	· Screw
6		1	· Handle
7	853000	1	· Striker plate
8	3818553	1	· Cover
9	853003	2	· Nail
10	853311	1	· Switch
11		1	· Cables and terminals