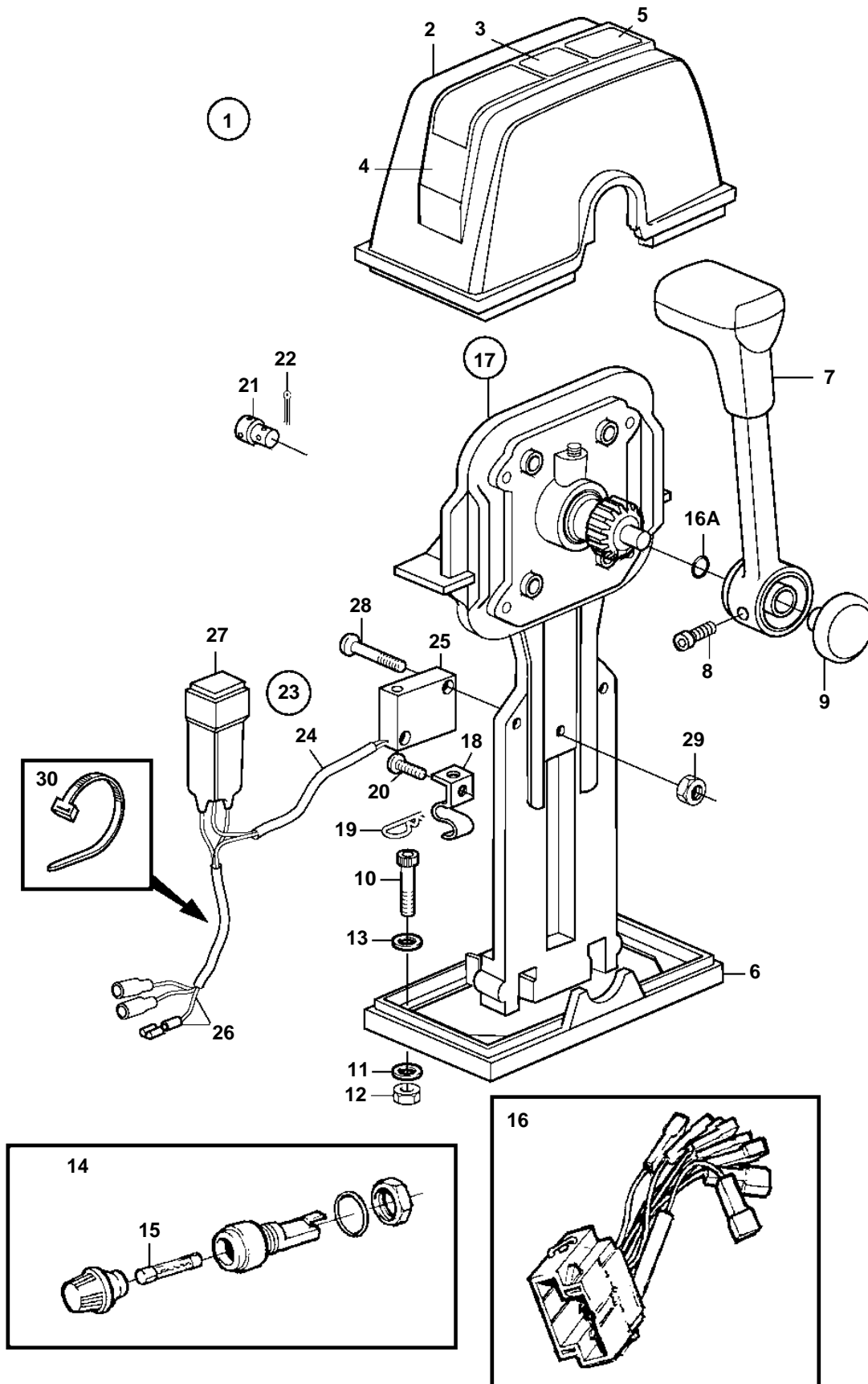


AD31P-A, AD31L-A, TAMD31L-A, TAMD31M-A, TAMD31S-A, TMD31L-A, D41L-A, AD41P-A, AD41L-A, TAMD41P-A, TAMD41L-A, TAMD41M-A, TAMD41H-A, TAMD41H-B, TMD41L-A



18510

AD31P-A, AD31L-A, TAMD31L-A, TAMD31M-A, TAMD31S-A, TMD31L-A, D41L-A, AD41P-A, AD41L-A, TAMD41P-A, TAMD41L-A, TAMD41M-A, TAMD41H-A, TAMD41H-B, TMD41L-A

REF	PART NO.	QTY	DESCRIPTION	SEE SEC.	NOTES
1	1140043	1	Mounting kit		
2	1140046	1	· Cover		
3	851896	2	· · Decal		
4		1	· · Cover plate		
5		1	· · Decal		
6	839474	1	· · Plate		
7	1140041	1	· Lever		
				703	
8	963678	1	· · Screw		
9	853004	1	· Push button		
10	947671	4	· Allen head screw		
11	960138	4	· Washer		
12	955780	4	· Nut		
13	940090	4	· Washer		
14	841073	1	· Fuse holder		
15	853342	2	· Fuse		5A
16	872444	1	· Adapter		
16A	925058	1	· O-ring		
17	851600	1	Control		
18	853423	1	· Retainer		
19	852924	1	· Clip		
20	839664	1	· Screw		
21	839638	1	· Cube		
22	17253	1	· Cotter pin		
23	855352	1	Neutral posit contac		
24	839619	1	· Cable kit		
25	850200	1	· · Switch		
26		X	· · Electrical materials	1963	
27	876037	1	· Relay kit		
28	946177	2	· Screw		
29	947536	2	· Nut		
30	948211	X	· Strip clamp		