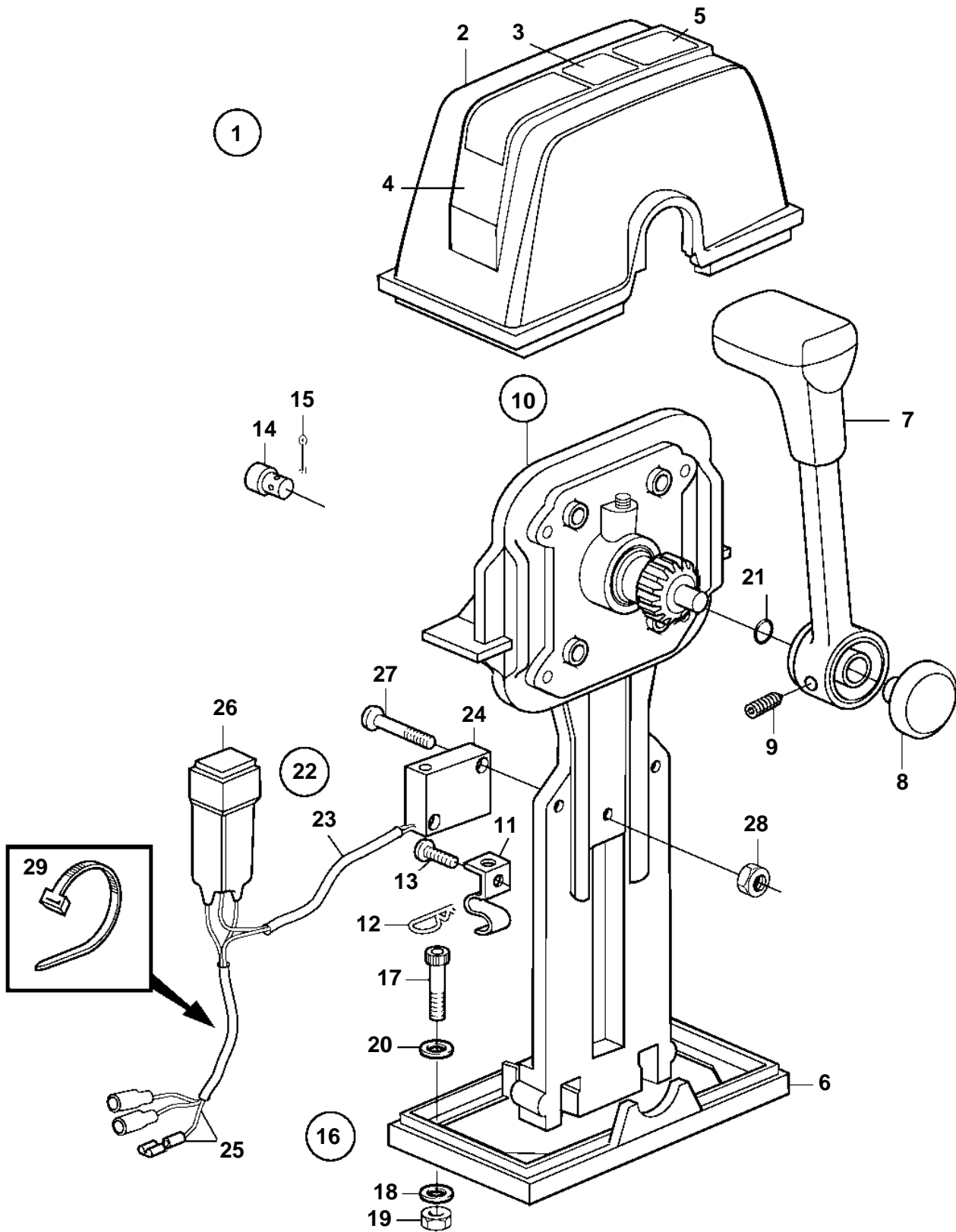


AD31P-A, AD31L-A, TAMD31L-A, TAMD31M-A, TAMD31S-A, TMD31L-A, D41L-A, AD41P-A, AD41L-A, TAMD41P-A, TAMD41L-A, TAMD41M-A, TAMD41H-A, TAMD41H-B, TMD41L-A



AD31P-A, AD31L-A, TAMD31L-A, TAMD31M-A, TAMD31S-A, TMD31L-A, D41L-A, AD41P-A, AD41L-A, TAMD41P-A, TAMD41L-A, TAMD41M-A, TAMD41H-A, TAMD41H-B, TMD41L-A

REF	PART NO.	QTY	DESCRIPTION	SEE SEC.	NOTES
1	853169	1	Mounting kit		For twin installation.
2	851881	1	· Cover		
3	851895	2	· · Decal		
4		1	· · Cover plate		
5	851897	1	· · Decal		
6	839479	1	· · Plate		
7	852347	2	· Lever		
8		2	· · Push button	266	Included in complete handle.
9		2	· · Screw		Included in complete handle.
10	851600	2	· Control		
11	853423	2	· · Retainer		
12	852924	2	· · Clip		
13	839664	2	· · Screw		
14	839638	2	· · Cube		
15	17253	2	· · Cotter pin		
16		1	· Screw kit		
17	947671	4	· · Allen head screw		
18	960138	4	· · Washer		
19	955780	4	· · Nut		
20	940090	4	· · Washer		
21	925058	2	· O-ring		
22	855352	2	Neutral posit contac		
23	839619	2	· Cable kit		
24	850200	2	· · Switch		
25		X	· · Cables and terminals	1963	
26	876037	2	· Relay kit		
27	946177	4	· Screw		
28	947536	4	· Nut		
29	948211	X	· Strip clamp		