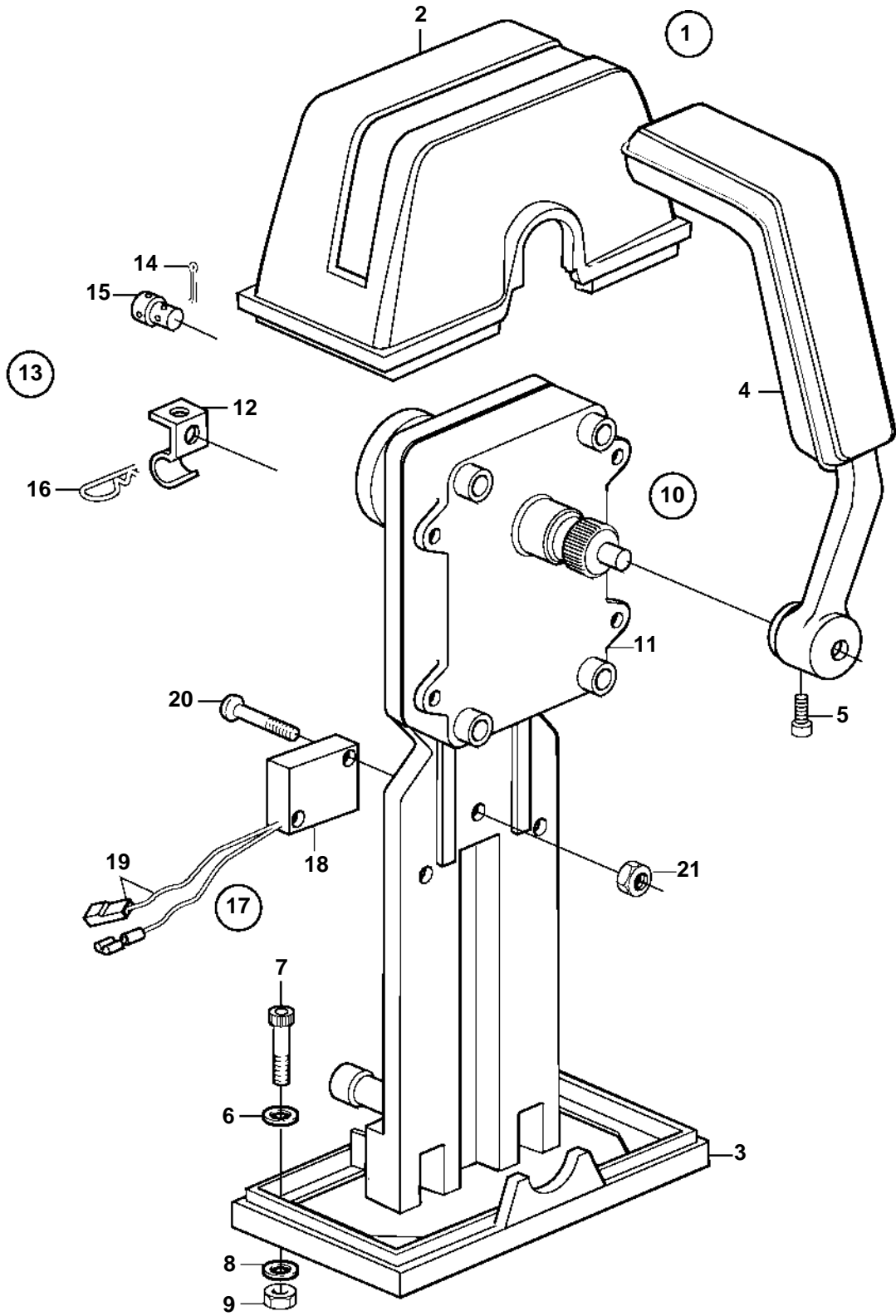


AD31P-A, AD31L-A, TAMD31L-A, TAMD31M-A, TAMD31S-A, TMD31L-A, D41L-A, AD41P-A, AD41L-A, TAMD41P-A, TAMD41L-A, TAMD41M-A, TAMD41H-A, TAMD41H-B, TMD41L-A



AD31P-A, AD31L-A, TAMD31L-A, TAMD31M-A, TAMD31S-A, TMD31L-A, D41L-A, AD41P-A, AD41L-A, TAMD41P-A, TAMD41L-A, TAMD41M-A, TAMD41H-A, TAMD41H-B, TMD41L-A

REF	PART NO.	QTY	DESCRIPTION	SEE SEC.	NOTES
1	851603	1	Mounting kit		For twin installation.
2	850824	1	· Cover		
3	839479	1	· Plate		
4	839475	2	· Lever		
5	839693	2	· Lock screw		
6	947671	6	· Allen head screw		
7	940090	2	· Washer		
8	955780	6	· Nut		
9	960138	6	· Washer		
10	851600	2	Control		
11		2	· Control mechanism		
12	853423	2	· Retainer		
13		2	· Connector kit		
14	17253	4	· · Cotter pin		
15	839638	4	· · Cube		
16	852924	2	· · Clip		
17	855352	2	Neutral posit contac		
18	850200	2	· Switch		
19		X	· · Cables and terminals	1963	
20	946177	4	· Screw		
21	947536	4	· Nut		