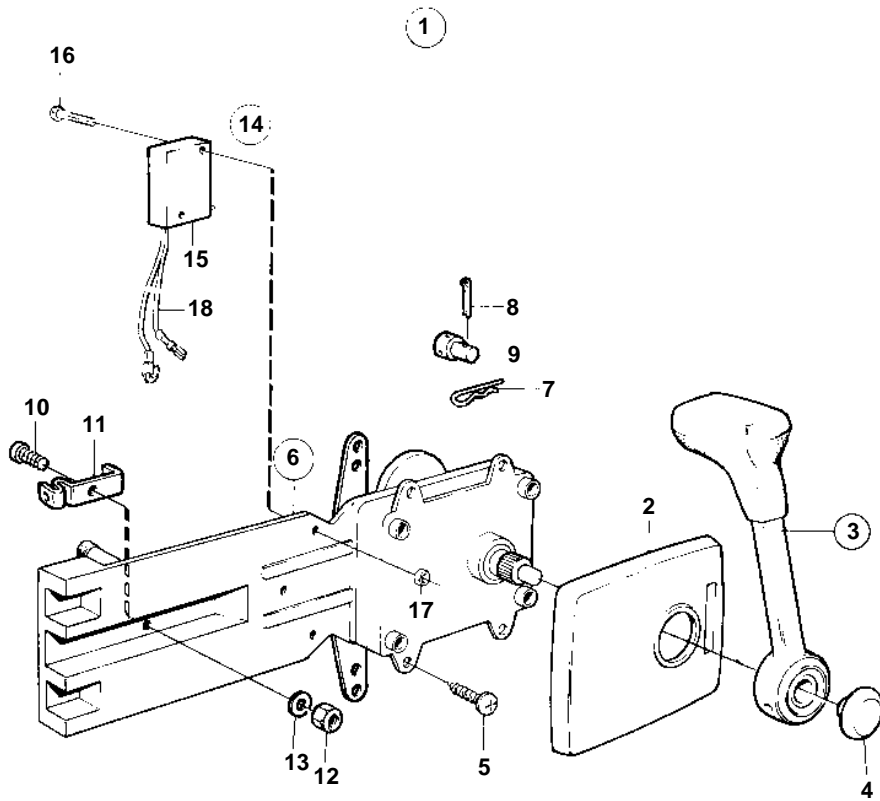


AD31P-A, AD31L-A, TAM31L-A, TAM31M-A, TAM31S-A, TMD31L-A, D41L-A, AD41P-A, AD41L-A, TAM41P-A, TAM41L-A, TAM41M-A, TAM41H-A, TAM41H-B, TMD41L-A



9606

AD31P-A, AD31L-A, TAMD31L-A, TAMD31M-A, TAMD31S-A, TMD31L-A, D41L-A, AD41P-A, AD41L-A, TAMD41P-A, TAMD41L-A, TAMD41M-A, TAMD41H-A, TAMD41H-B, TMD41L-A

REF	PART NO.	QTY	DESCRIPTION	SEE SEC.	NOTES
1	853102	1	Mounting kit		REPLACED BY 1140090
2	1140048	1	· Cover		
3	852347	1	· Lever		
				266	
4	853004	1	· Push button		
5	955142	4	· Screw		
6	851601	1	Control		
7	852924	1	· Clip		
8	17253	2	· Cotter pin		
9	839638	2	· Cube		
10	839664	1	· Screw		
11	853423	1	· Retainer		
12	946435	1	· Lock nut		
13	940275	1	· Washer		
14	855352	1	Neutral posit contac		
15	850200	1	· Switch		
16	946177	2	· Screw		
17	947536	2	· Nut		
18		X	· Electrical materials	1963	