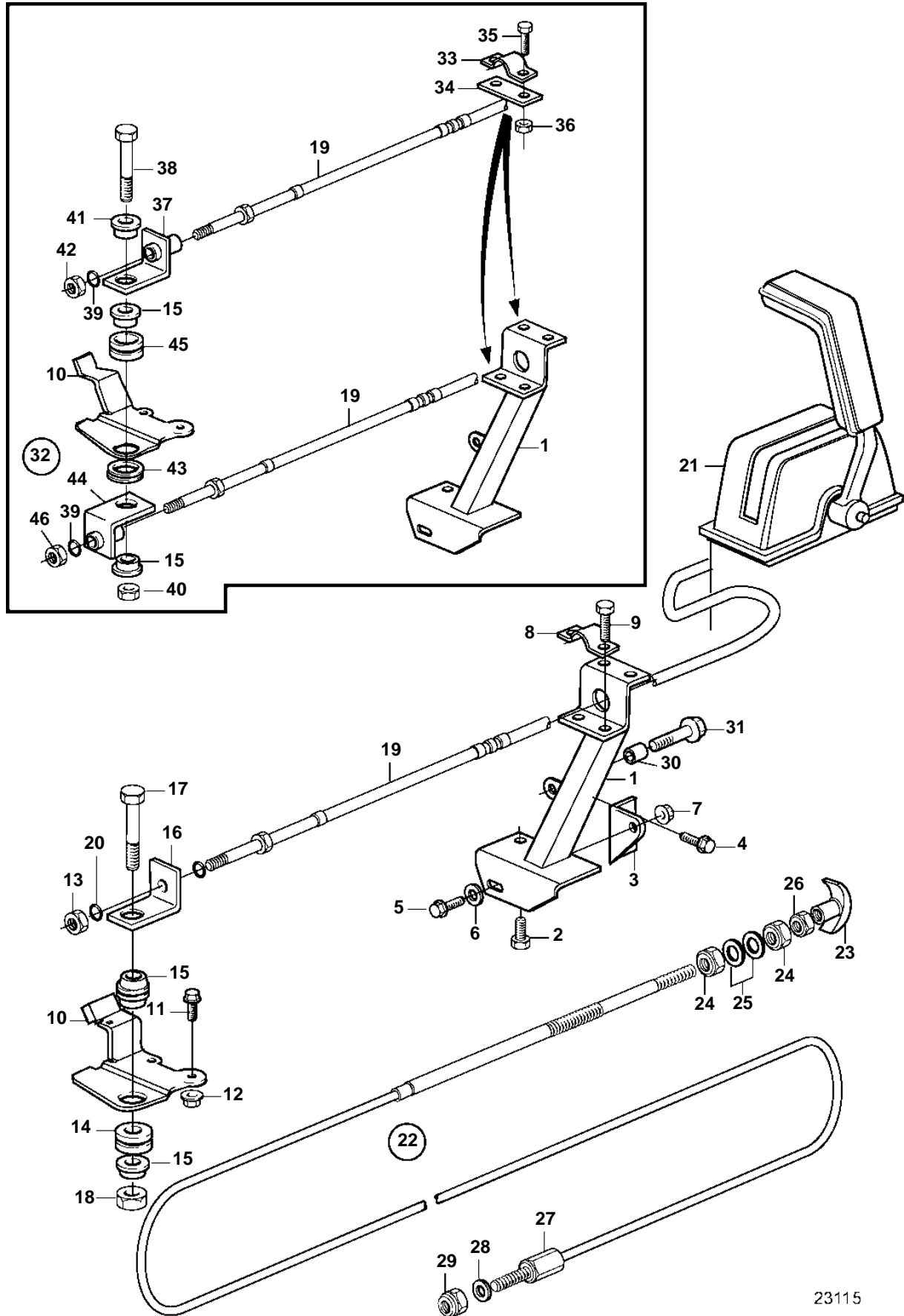


TMD41L-A, TAMD41P-A, TAMD41L-A, TAMD41M-A, TAMD41H-A, D41L-A, AD41P-A, AD41L-A



TMD41L-A, TAMD41P-A, TAMD41L-A, TAMD41M-A, TAMD41H-A, D41L-A, AD41P-A, AD41L-A

REF	PART NO.	QTY	DESCRIPTION	SEE SEC.	NOTES
1	838783	1	Bracket		
2	946471	1	Screw		L=16mm
	946441	1	Screw		L=20mm
3	838753	1	Bracket		
4	946440	2	Flange screw		
5	945444	1	Flange screw		
6	191172	1	Washer		
7	948645	1	Lock nut		
8	819067	1	Brace		
9	969407	2	Screw		(956078)
10	858261	1	Lever		
11	946544	1	Flange screw		
12	949278	1	Lock nut		
13	951674	1	Lock nut		
14	843109	1	Bushing		
15	843105	3	Spacer washer		
16	843107	1	Anchorage		
17	955274	1	Screw		
18	946035	1	Lock nut		
19		1	Control cable	231	
20	955971	1	O-ring		
21		1	Control		
22	818478	1	Control		L=3,3m
	818470	1	Control cable		L=6,9m
23	829241	1	· Handle		
24	955857	2	· Nut		
25	955950	2	· Lock washer		
26	955844	1	· Nut		
27	829070	1	Cable lock		
28	955894	2	Washer		
29	950363	1	Nut		
30		1	Spacer sleeve		
31	947542	1	Screw		
32	3581042	1	Ds unit		For double steering positions.
33	819067	1	· Brace		
34	819068	1	· Washer		
35	969407	2	· Screw		(956078)
36	951674	2	· Lock nut		
37	861215	1	· Bracket		
38	955275	1	· Screw		
39	955971	2	· O-ring		
40	946035	1	· Lock nut		
41	843105	1	· Spacer washer		
42	951674	1	· Lock nut		
43	843105	1	· Spacer washer		
44	861214	1	· Bracket		
45	843109	1	· Bushing		
46	951674	1	· Lock nut		