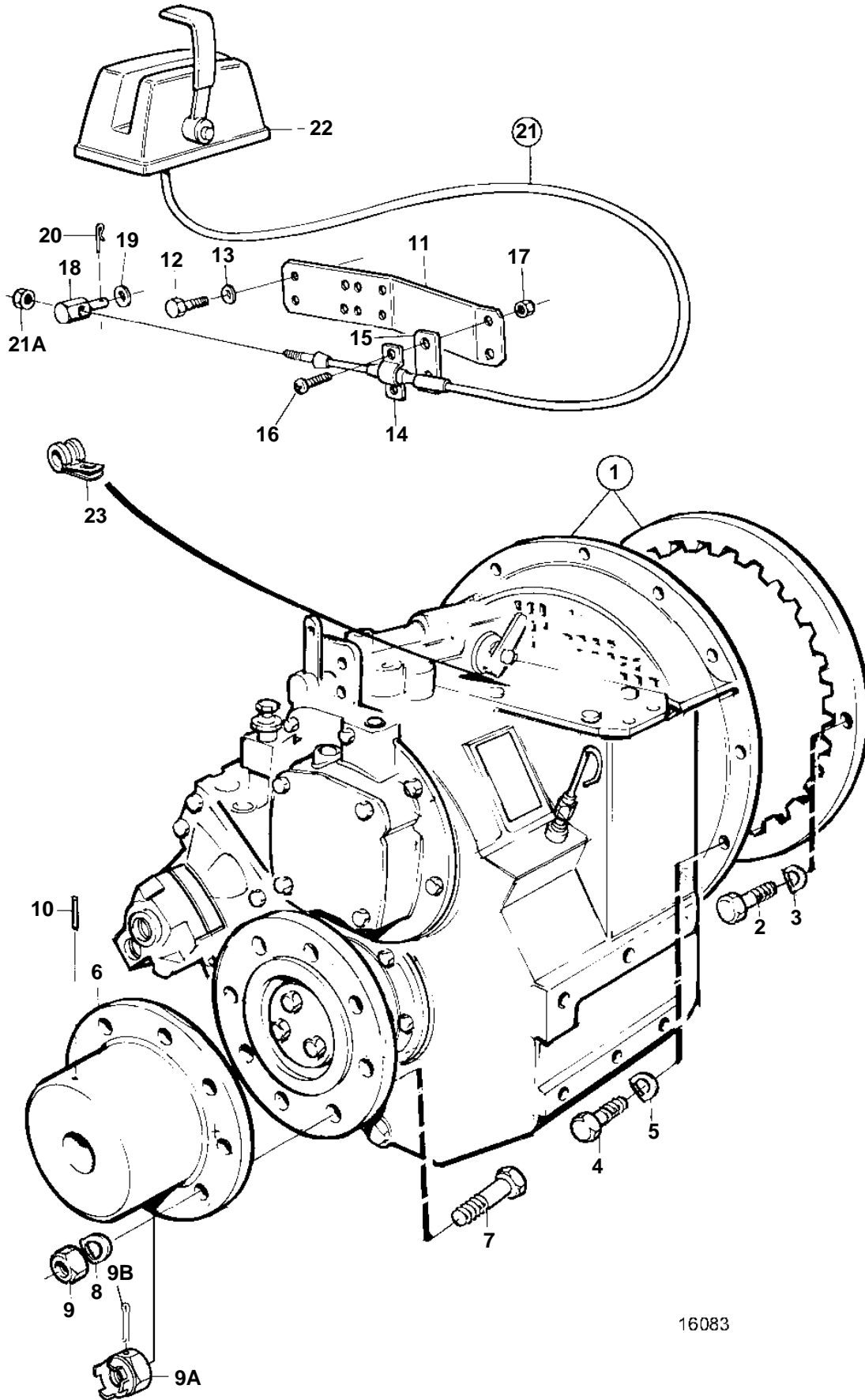


TMD122A, TAMD122A



16083

TMD122A, TAMD122A

REF	PART NO.	QTY	DESCRIPTION	NOTES
1		1	Reversing gear	RATIO 3.28:1
		1	Reversing gear	RATIO 3.92:1
		1	Reversing gear	RATIO 4,44:1
		1	Reversing gear	RATIO 4.95:1
			Comps. not spec.	
2	955562	8	Screw, L=38mm	SN-1101050532/XXXXXX
	955560	8	Screw, L=25mm	SN1101050533/XXXXXX-
3	940280	8	Spring washer	
4	940160	12	Screw	
5	941909	12	Spring washer	
6	837093	1	Companion flange	
7	955773	8	Screw	L=76mm, FOR 955889
	955774	8	Screw	L=83mm, FOR 950381
8	941917	8	Spring washer	
9	950381	8	Lock nut	
9A	955889	8	Castle nut	
9B	907881	8	Cotter pin	
10		2	Pin	
11	863123	1	Bracket	
12	955524	2	Screw	
13	941907	2	Spring washer	
14	819067	1	Brace	For control cable type 333.
	6853782	1	Clamp	For control cable type 443.
15	819068	1	Washer	
16	956079	2	Screw	
17	963104	2	Nut	
18	853217	1	Cube	
19	940191	1	Washer	
20	907824	1	Cotter pin	
21		X		SEE GROUP 27
21A		1	• Nut	
22		X	• Control	SEE GROUP 27
23	949746	1	Clamp	(946834). For cable, oil pressure sensor.