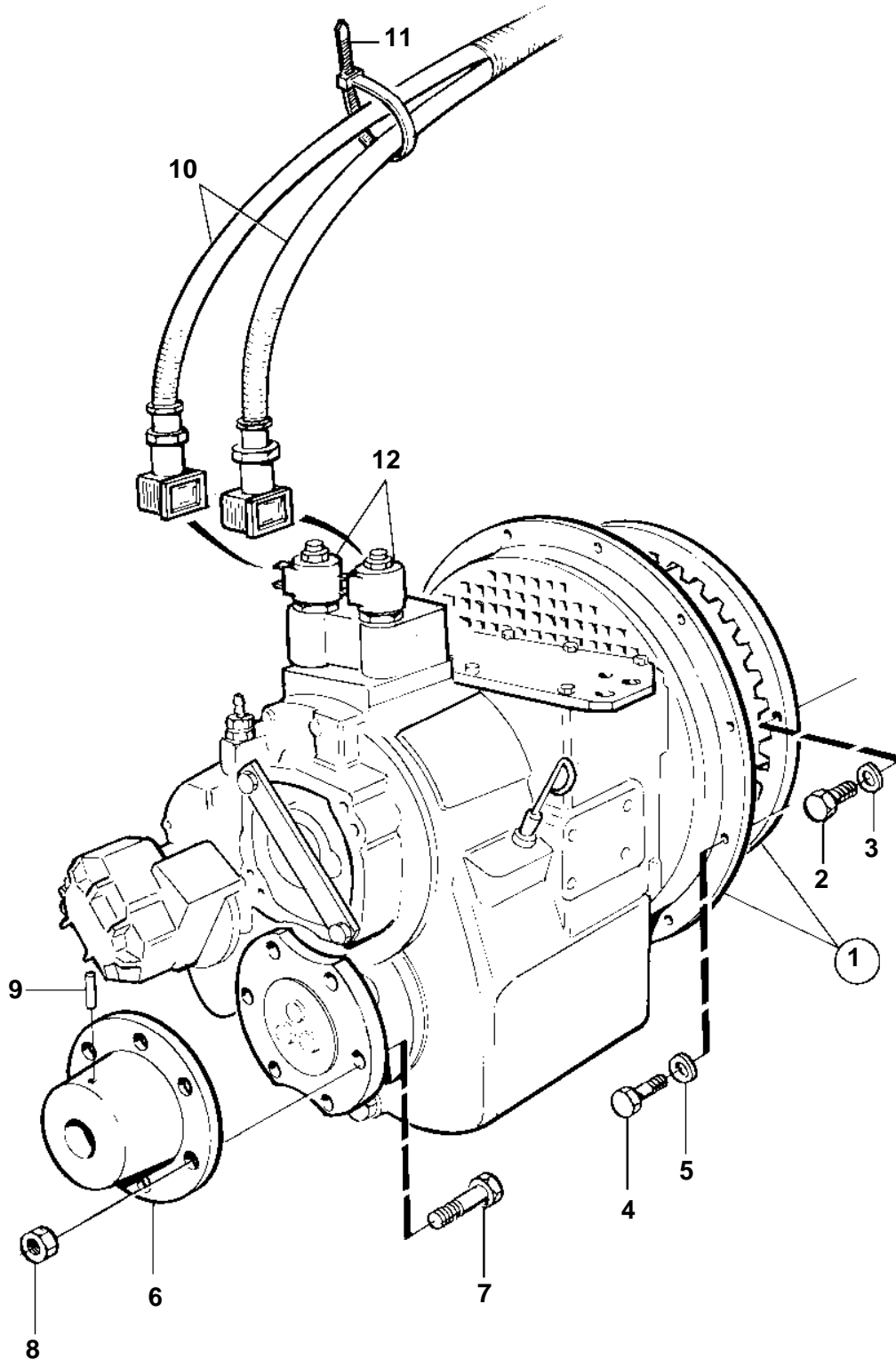


TAMD122P-B, TAMD122P-C



TAMD122P-B, TAMD122P-C

REF	PART NO.	QTY	DESCRIPTION	NOTES
1		1	Reversing gear	RATIO 2.0:1
		1	Reversing gear	RATIO 2.5:1
			Comps. not spec.	
2	955561	8	Screw	
3	940280	8	Spring washer	
4	940134	12	Screw	
5	941909	12	Spring washer	
6	844765	1	Clutch flange	
7	955764	8	Screw	
8	950380	8	Lock nut	
9		1	Pin	
10	873827	1	Cable kit	(873659)
11	948211	2	Strip clamp	
12	3825654	1	Control magnet kit	