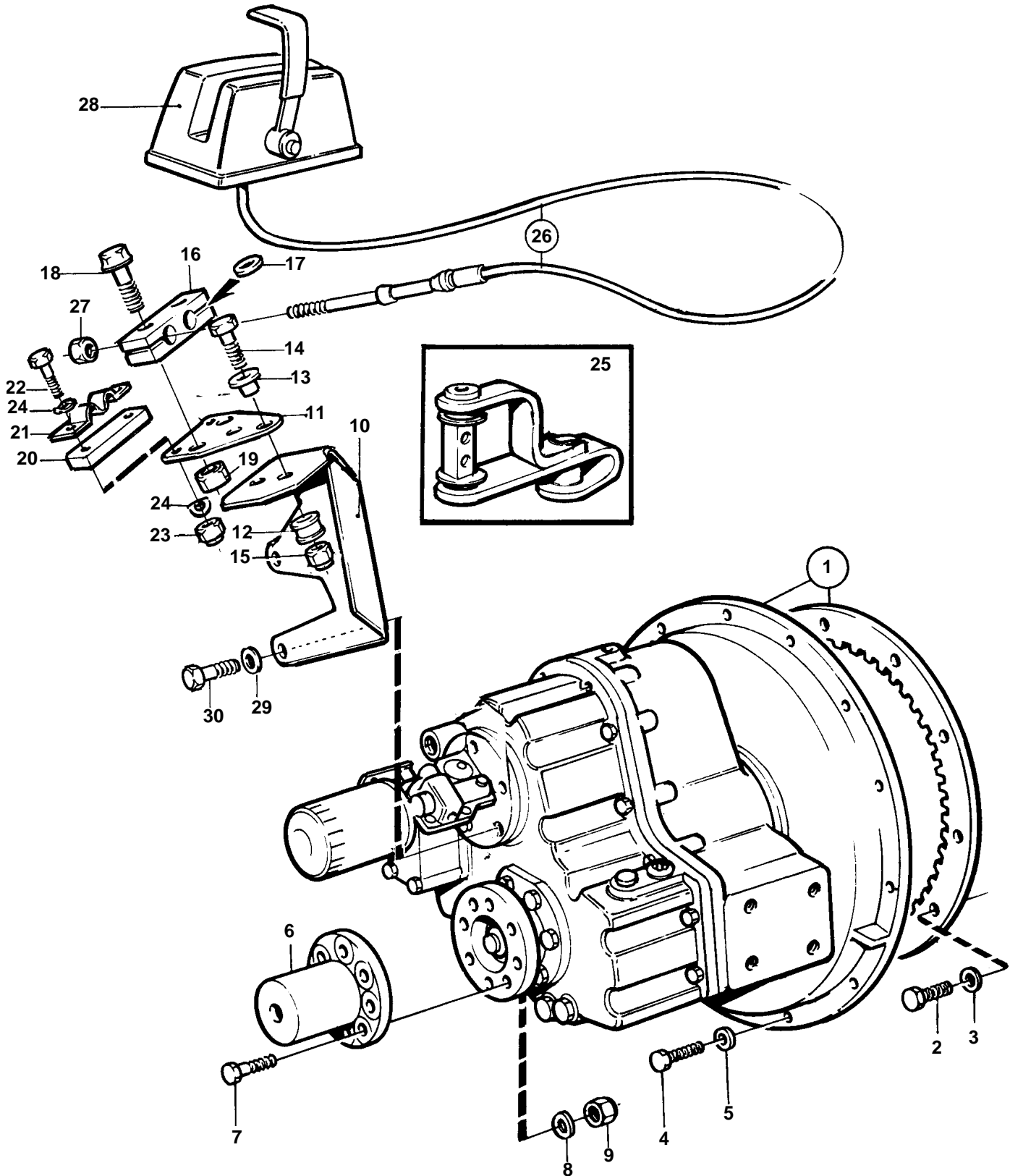


TAMD122P-A



16089

TAMD122P-A

REF	PART NO.	QTY	DESCRIPTION	NOTES
1		1	Reversing gear	RATIO 1.52:1
		1	Reversing gear	RATIO 1.76:1
		1	Reversing gear	RATIO 2.00:1
2	955562	8	Screw	
3	940280	8	Spring washer	
4	940134	12	Screw	
5	941909	12	Spring washer	
6	863994	1	Clutch flange	Pre-drilled 30 mm. Max shaft 80 mm.
7	955739	8	Screw	
8	941912	8	Spring washer	
9	950378	8	Nut	
10		1	Anchorage	REPL BY 3826139
		1	Control attachment	
11	1140270	1	Bracket	
12	824834	2	Bushing	
13	824830	2	Spacer sleeve	
14	947542	2	Screw	
15	963105	2	Nut	
16	1140271	1	Anchorage	
17	955894	1	Washer	
18	948217	2	Flange screw	
19	963106	2	Nut	
20	1140272	1	Spacer	
21	850182	1	Cable attachment	
22	956081	2	Screw	(955249)
23	963104	2	Nut	
24	940090	2	Washer	
25	3825435	1	Lever	
26		X	Control cable	SEE GROUP 27
27		1	· Nut	
28		X	Control	SEE GROUP 27
29		2	Washer	Included in complete reverse gear
30		2	Screw	Included in complete reverse gear