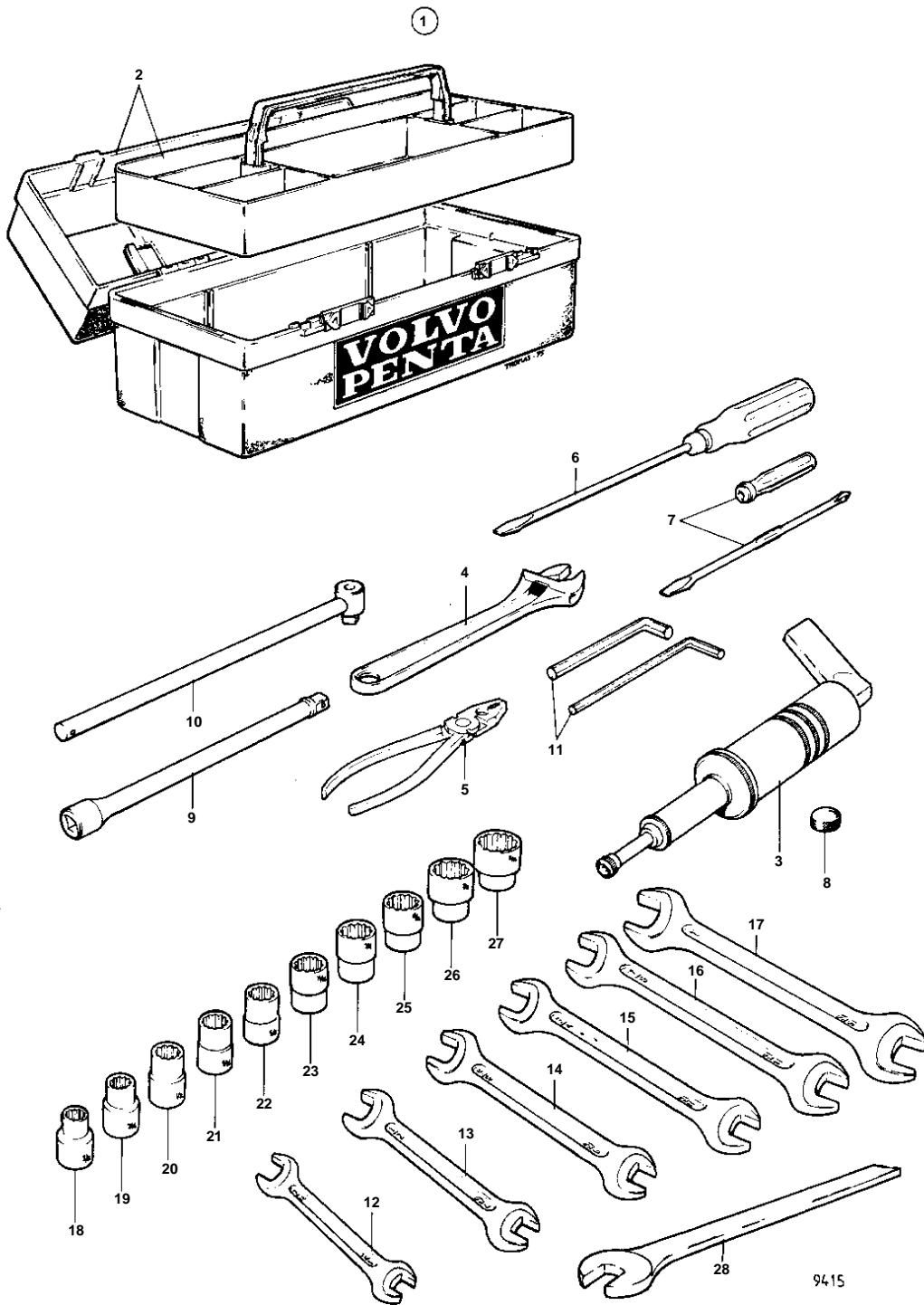


TMD122A, TAMD122A, TAMD122P-A, TAMD122P-B, TAMD122P-C



TMD122A, TAMD122A, TAMD122P-A, TAMD122P-B, TAMD122P-C

REF	PART NO.	QTY	DESCRIPTION	NOTES
1	844481	1	Tool kit	
2	842021	1	• Tool box	
3		1	• Grease gun	
4	755	1	• Adjustable wrench	30mm
		1	• Adjustable wrench	19mm
5		1	• Pliers	
6	804771	1	• Screwdriver	L=300mm
7		1	• Screwdriver	
8	811	12	• Protective cap	
9		1	• Extension bar	
10		1	• Handle	
11	946804	1	• Allen wrench	5/16"
	914675	1	• Allen wrench	1/4"
12		1	• Key	3/8"-7/16"
13		1	• Key	7/16"-1/2"
14		1	• Key	9/16"-5/8"
15		1	• Key	13/16"-7/8"
16		1	• Key	11/16"-3/4"
17		1	• Key	15/16"-1"
18		1	• Sleeve	3/8"
19		1	• Sleeve	7/16"
20		1	• Sleeve	1/2"
21		1	• Sleeve	9/16"
22		1	• Sleeve	5/8"
23		1	• Sleeve	11/16"
24		1	• Sleeve	3/4"
25		1	• Sleeve	13/16"
26		1	• Sleeve	7/8"
27		1	• Sleeve	15/16"
28		1	• Open-end wrench	41mm