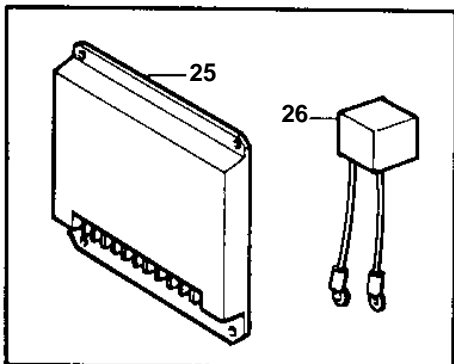
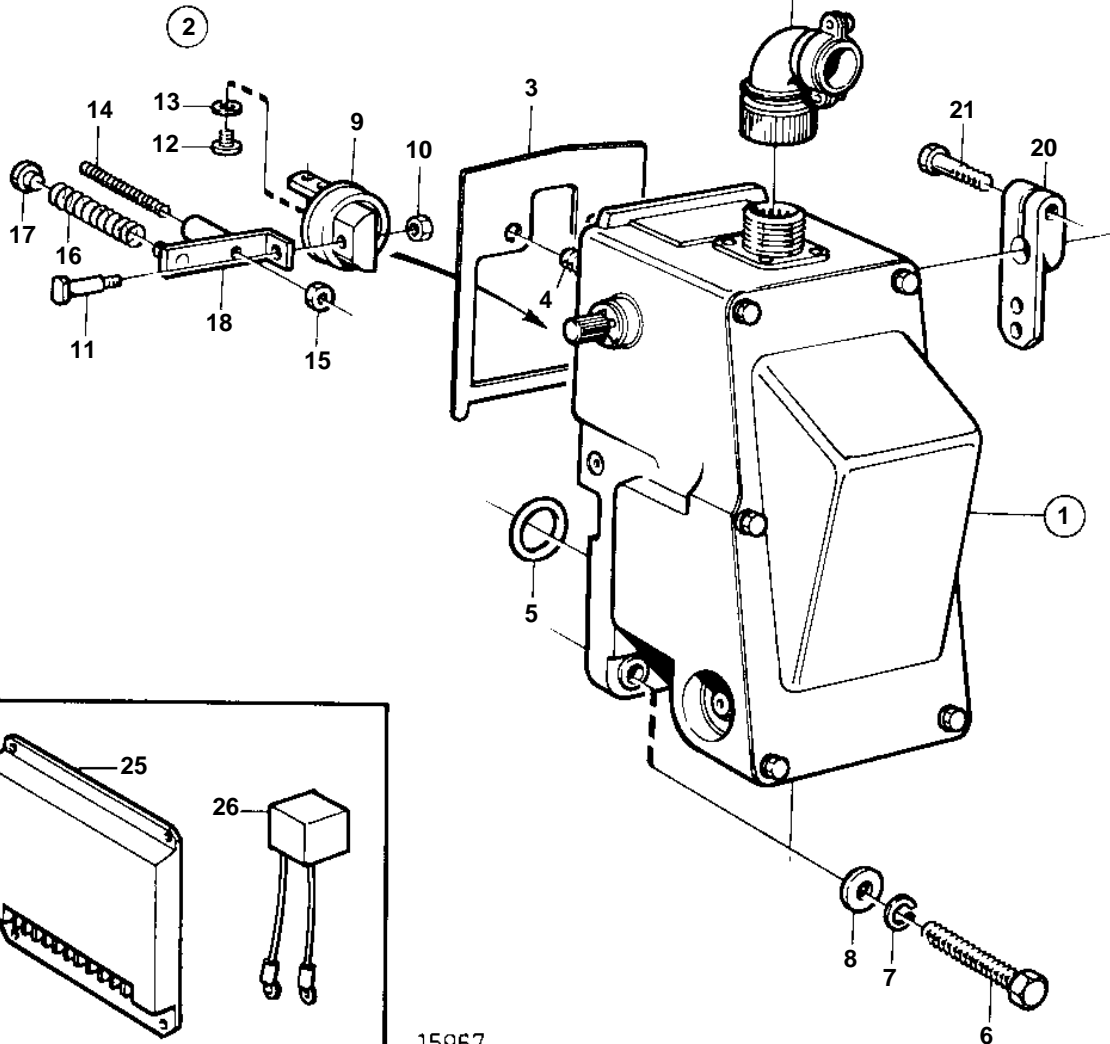
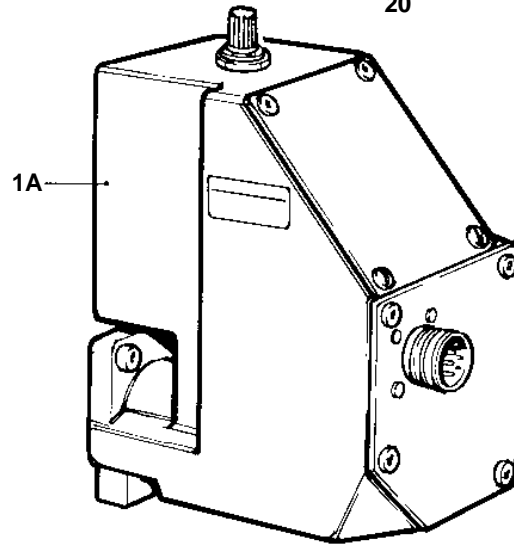
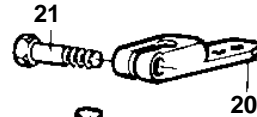
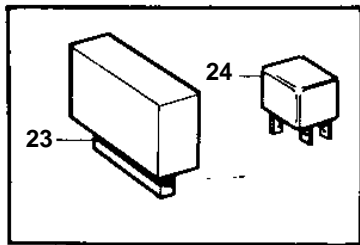
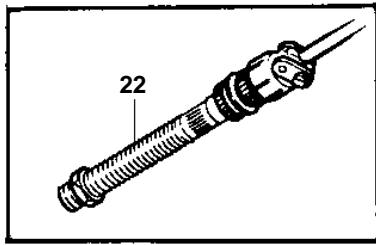


TMD122A, TAMD122A



15967

TMD122A, TAMD122A

REF	PART NO.	QTY	DESCRIPTION	NOTES
1	848990	1	Actuator	AMBAC. Replaced by governor 866167 + mounting kit 866169.
1A	866167	1	Actuator	GAC. ACB275D. Replaced by 3825454.
	3825454	1	Actuator	GAC. ACB275H
			Comps. not spec.	
2		1	Mounting kit	FOR 848990
	866169	1	Mounting kit	FOR 866167
			Comps. not spec.	
3		1	· Gasket	
4		2	· Screw	
5		1	· O-ring	
6		2	· Screw	
7		2	· Lock washer	
8		2	· Washer	
9		1	· Link	
10	963103	1	· Lock nut	(847755)
11		2	· Screw	
12		2	· Screw	
13		2	· Lock washer	
14		1	· Screw	
15		1	· Nut	
16		1	· Spring	
17		1	· Seat	
18		1	· Bracket	
19	846580	1	Angle contact	
20	846426	1	Lever	
21	955637	1	Screw	
22	863618	1	Impulse sensor	(834551)
23	843910	1	Race gard	
24	877306	1	Relay kit	(8153600)
25	881616	1	Control unit	(865414)
26	849394	1	· Transient protector	For control unit.