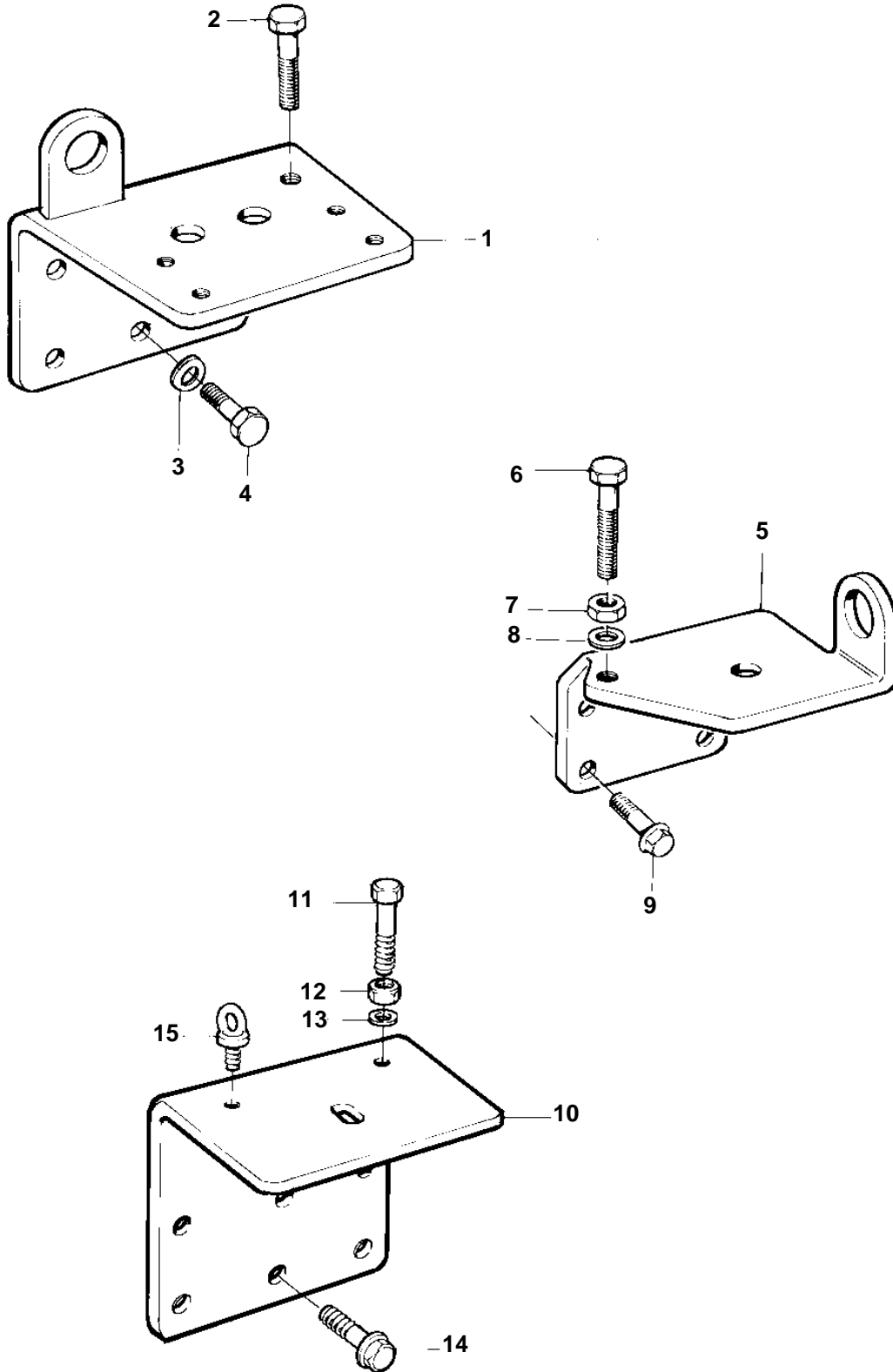


TMD122A, TAMD122A, TAMD122P-A, TAMD122P-B, TAMD122P-C



16793

TMD122A, TAMD122A, TAMD122P-A, TAMD122P-B, TAMD122P-C

REF	PART NO.	QTY	DESCRIPTION
10	3826259	2	Bracket
11	977987	2	Adjuster screw
12	971072	2	Nut
13	940280	2	Spring washer
14	968435	12	Flange screw
15	942345	2	Lifting eye

