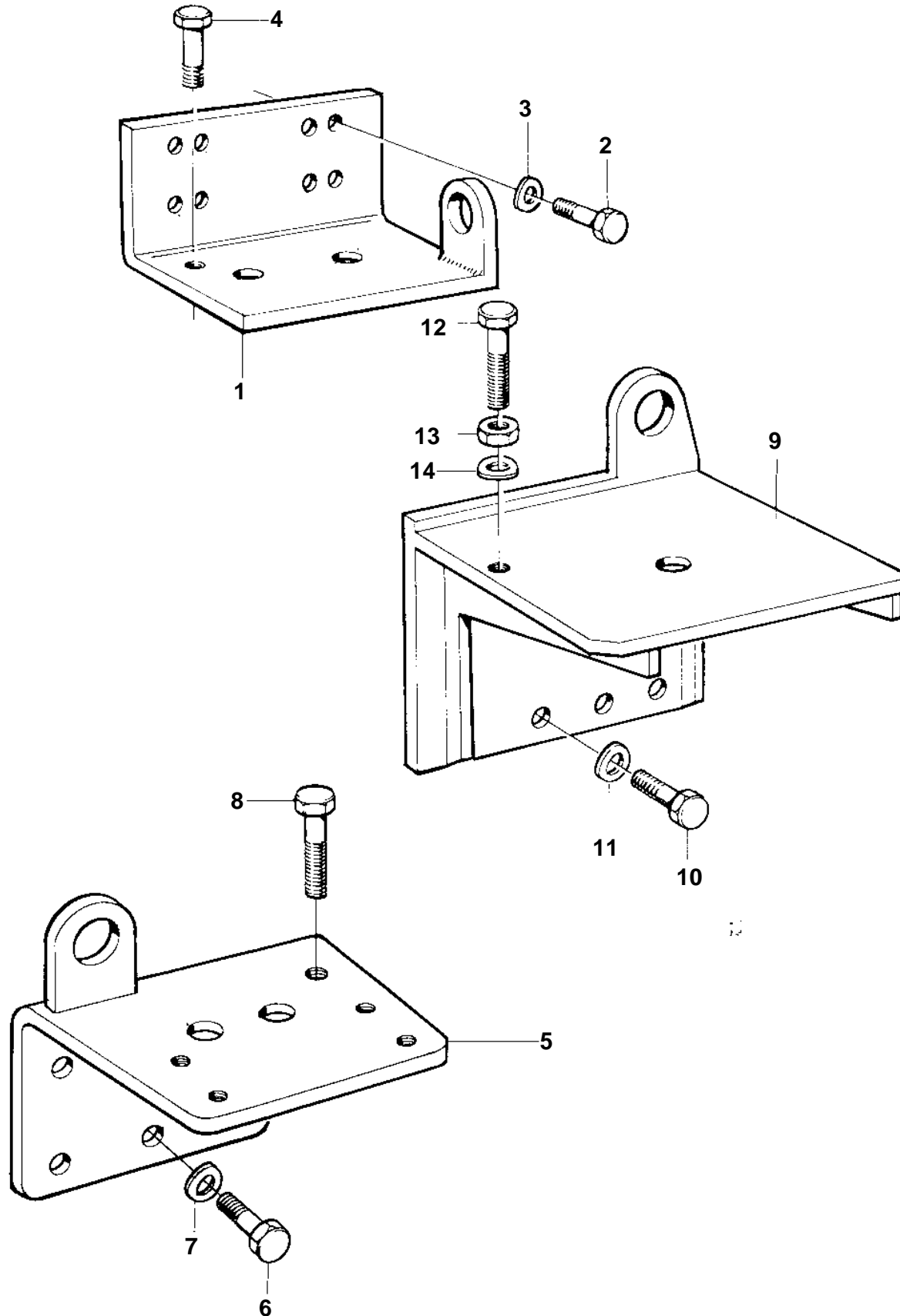


TMD122A, TAMD122A



16078

TMD122A, TAMD122A

REF	PART NO.	QTY	DESCRIPTION	NOTES
9	863044	1	Bracket	S.B P
	863045	1	Bracket	
10	955590	12	Screw	
11	941912	12	Spring washer	
12	977987	2	Adjuster screw	
13	971072	2	Nut	
14	940280	2	Spring washer	