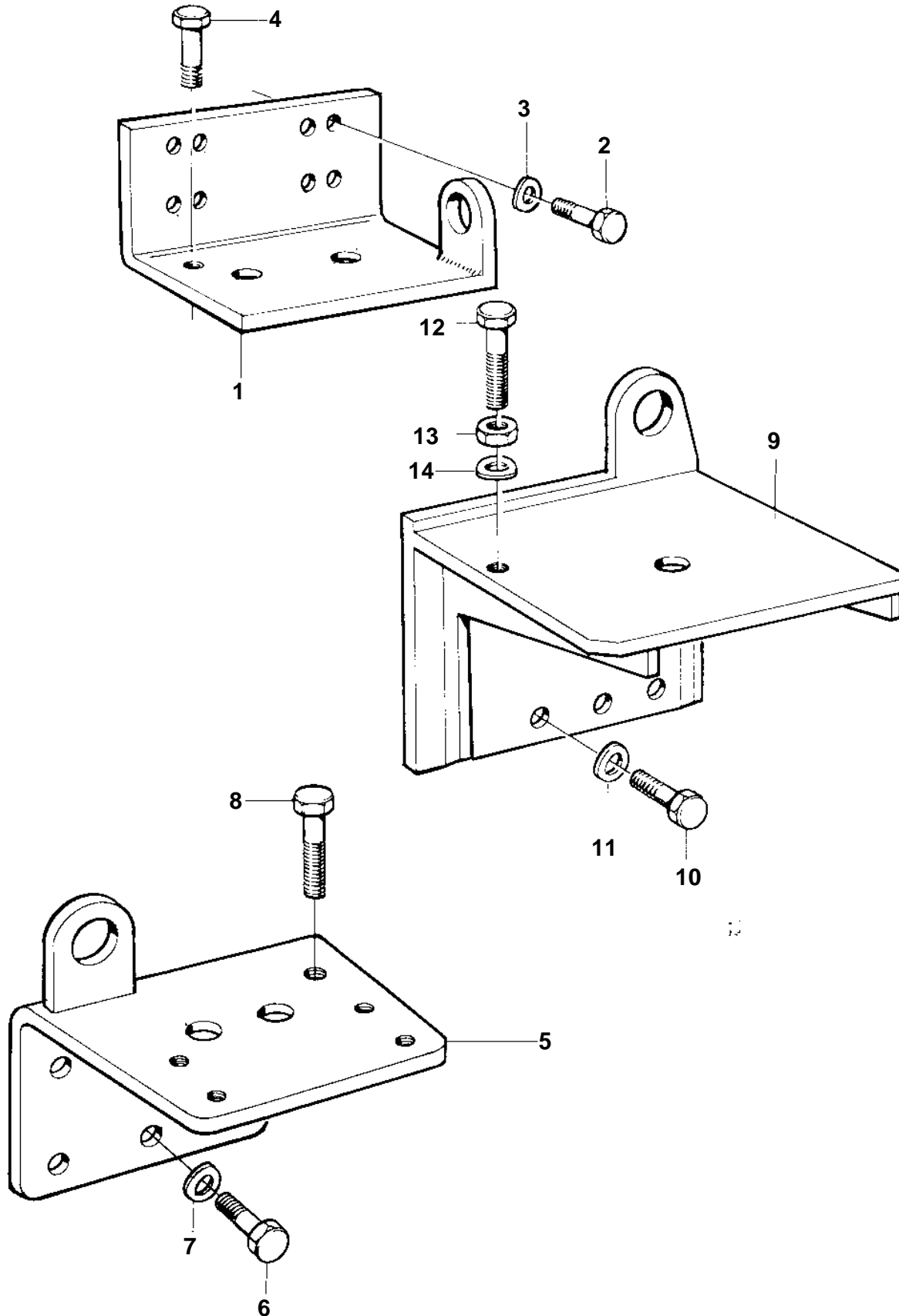


TMD122A, TAMD122A



16078

TMD122A, TAMD122A

REF	PART NO.	QTY	DESCRIPTION		NOTES
1	864375	1	Bracket	SO	S.B
	864376	1	Bracket	SO	P
2	956616	16	Screw		
3	940280	16	Spring washer		
4	970972	2	Screw		