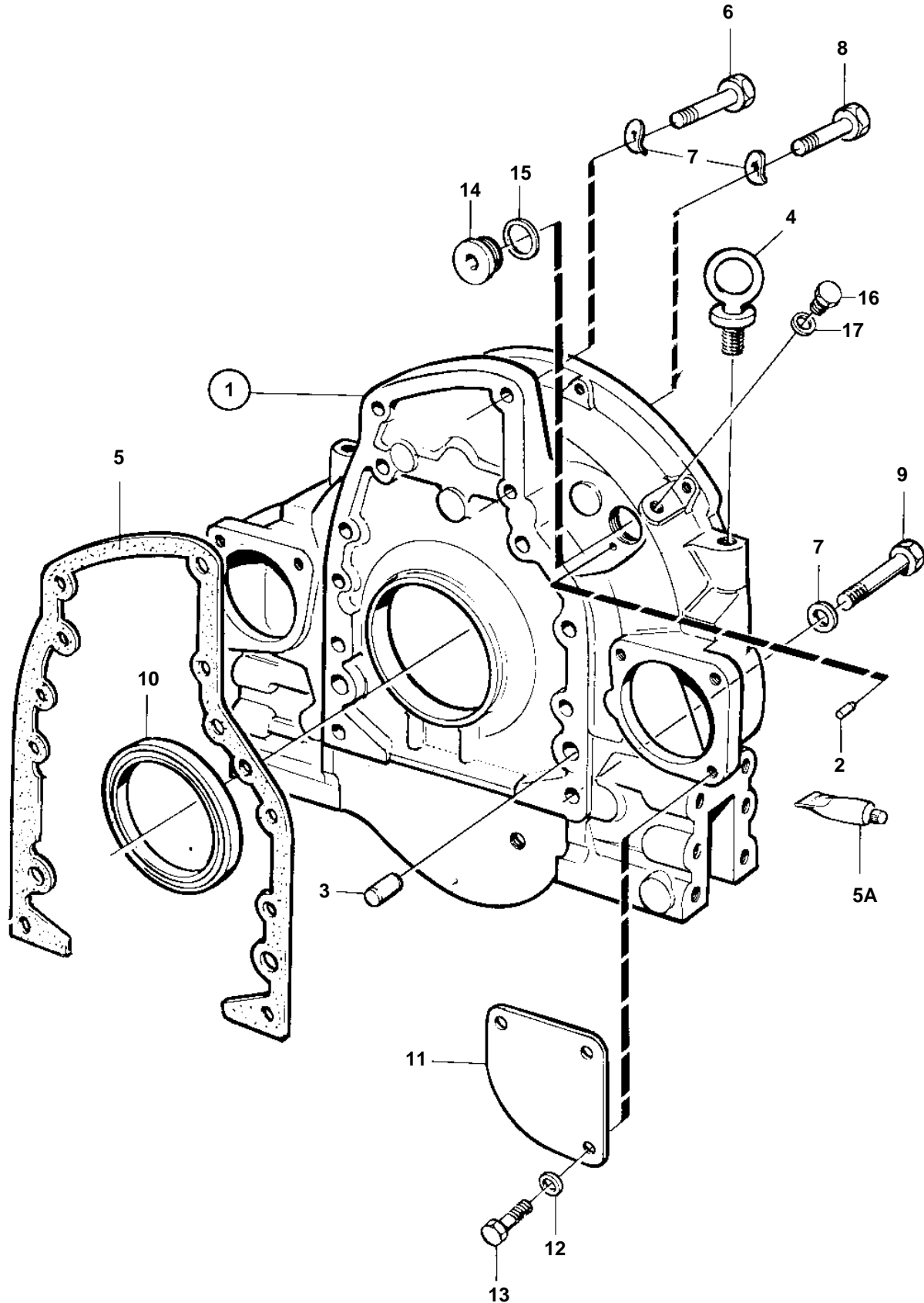


TMD122A, TAMD122A



15793

TMD122A, TAMD122A

REF	PART NO.	QTY	DESCRIPTION	NOTES
1	848961	1	Flywheel housing	
2	403270	1	• Pin	
3	191171	2	Pin	
4	942345	2	Lifting eye	
5	424621	1	Gasket	In production replaced by sealant.
5A	1161231	X	Sealant	304ml
	1161277	X	Sealant	10g
6	955582	2	Screw	
7	955899	12	Washer	
8	955580	8	Screw	
9	955587	2	Screw	
10	469336	1	Sealing ring	
11	423081	1	Flange	
12	942336	3	Spring washer	
13	940114	3	Screw	
14	467365	1	Plug	
15	469327	1	Gasket	
16	180761	1	Plug	
17	11996	1	Gasket	