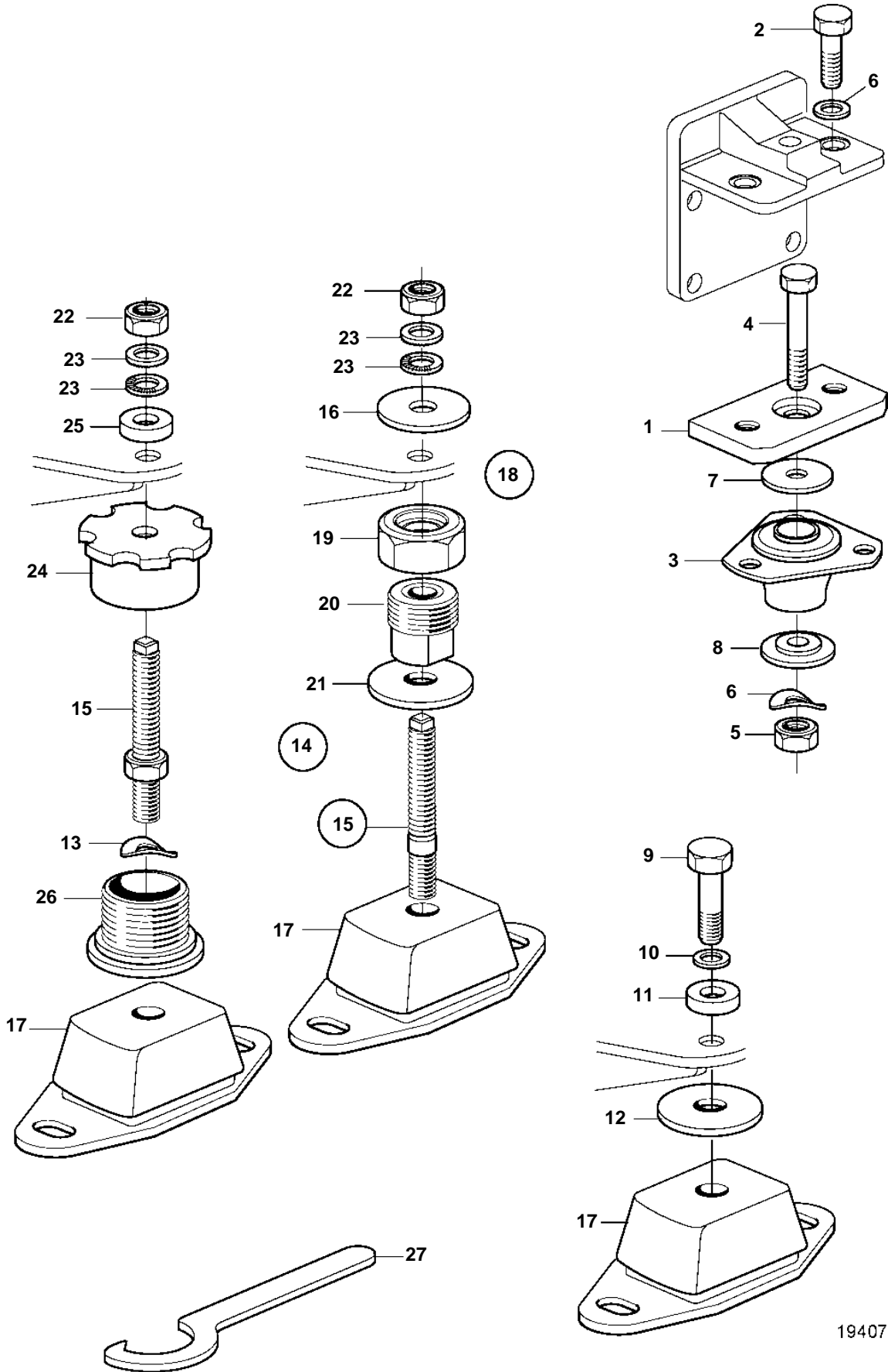


TMD122A, TAMD122A, TAMD122P-A, TAMD122P-B, TAMD122P-C



19407

TMD122A, TAMD122A, TAMD122P-A, TAMD122P-B, TAMD122P-C

REF	PART NO.	QTY	DESCRIPTION	NOTES
1	824374	4	Intermediate plate	
2	955589	8	Screw	
3	836961	4	Rubber element	
4	959827	4	Screw	
5	955829	4	Nut	
6	941912	12	Spring washer	
7	836325	4	Washer	
8	862066	4	Washer	
9	955390	4	Screw	
10	941914	4	Spring washer	
11	863273	4	Washer	
12	849953	X	Spacer	
	849954	X	Spacer	
	849955	X	Spacer	
13	941914	4	Spring washer	
14	3829464	4	Rubber element kit	FOR TAMD122P-A, P-B, P-C
15	3828724	1	· Adjusting screw	
16	120224	1	· Washer	
17	862347	1	· Rubber element	FOR TAMD122P-A, P-B, P-C
18	3836666	1	· Adjusting sleeve	
19	3836667	1	· · Nut	
20		1	· · Sleeve	
21		1	· · Washer	
22	955786	1	· Nut	
23	847766	2	· Lock washer	
24	863873	1	Adjusting sleeve	
25	955903	1	Washer	
26	863872	1	Adjusting sleeve	
27	885017	1	Hook spanner	