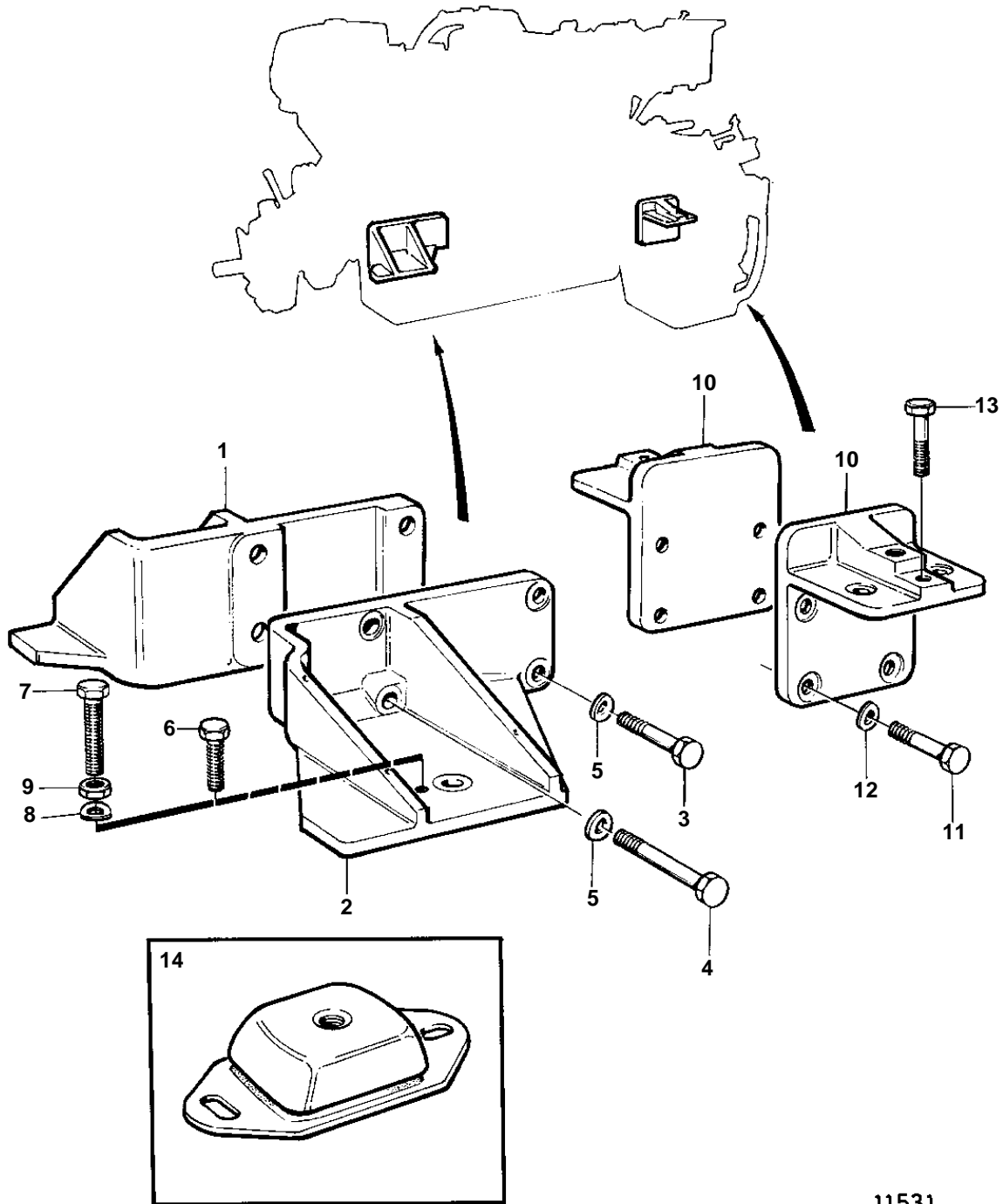


TMD122A, TAMD122A, TAMD122P-A, TAMD122P-B, TAMD122P-C



11531

TMD122A, TAMD122A, TAMD122P-A, TAMD122P-B, TAMD122P-C

REF	PART NO.	QTY	DESCRIPTION	SEE SEC.	NOTES
1	862473	1	Bracket		SB. Used in combination with MG5091SC-E, MG5111A, MG5114SC.
2	862474	1	Bracket		P. Used in combination with MG5091SC-E, MG5111A, MG5114SC.
3	955577	6	Screw		L=38mm
4	955580	2	Screw		L=55mm
5	941911	8	Spring washer		
6	970971	2	Screw		
7	977987	2	Adjuster screw		
8	940280	2	Spring washer		
9	971072	2	Nut		
10	821685	2	Engine bracket		
11	960737	8	Screw		
12	940280	8	Spring washer		
13	955591	2	Screw		
14		X	Rubber element	1487	