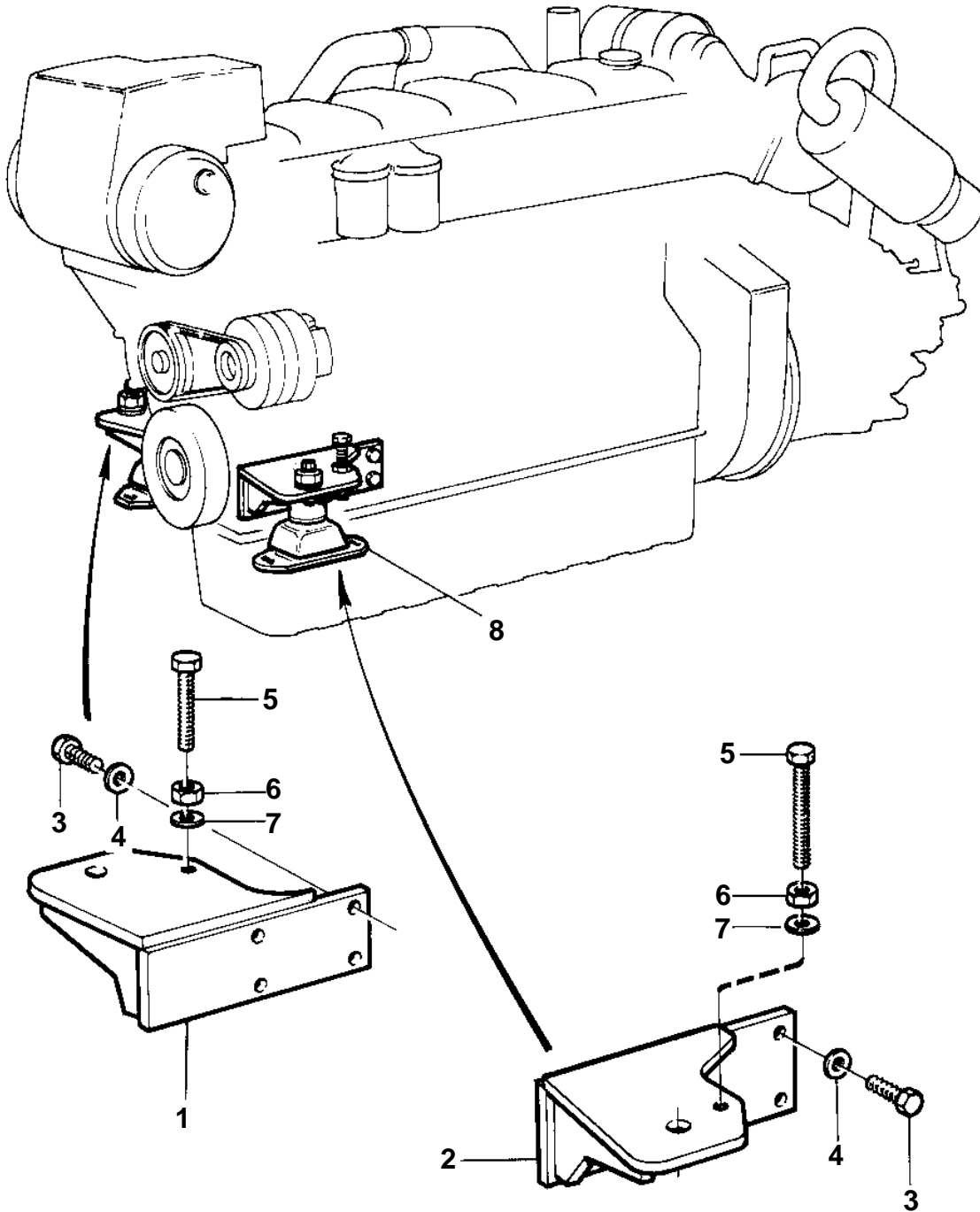


TMD122A, TAMD122A, TAMD122P-A



TMD122A, TAMD122A, TAMD122P-A

REF	PART NO.	QTY	DESCRIPTION	SEE SEC.	NOTES
1	863712	1	Bracket	SO	Used in combination with IRM 310A, 311A.
2	863929	1	Bracket		Used in combination with IRM 310A, 311A.
3	955577	8	Screw		
4	941911	8	Spring washer		
5	977987	2	Adjuster screw		
6	971072	2	Nut		
7	940280	2	Spring washer		
8		X	Rubber element	1487	