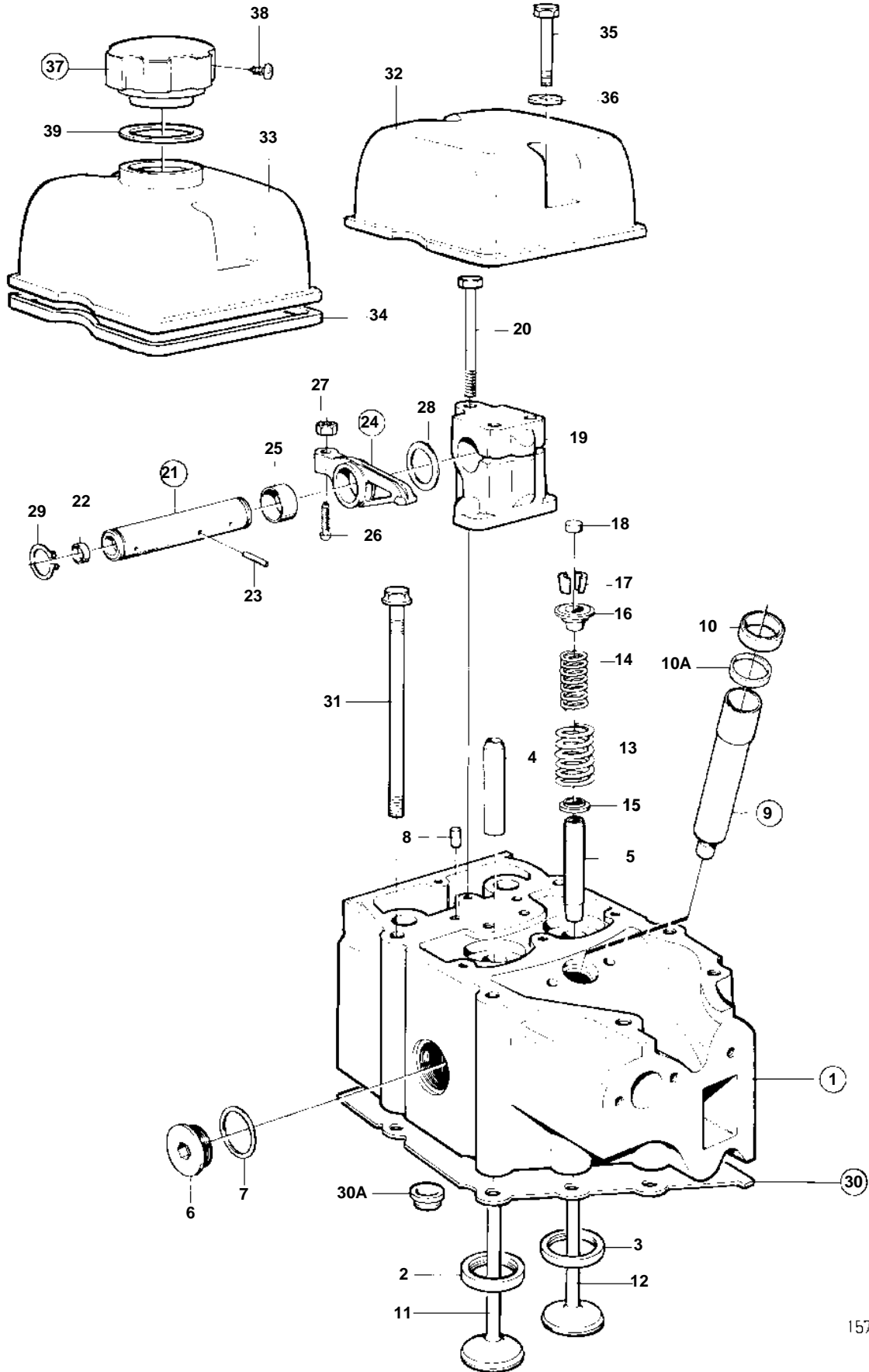


TMD122A, TAMD122A, TAMD122P-A, TAMD122P-B, TAMD122P-C



15790

TMD122A, TAMD122A, TAMD122P-A, TAMD122P-B, TAMD122P-C

REF	PART NO.	QTY	DESCRIPTION	NOTES
1	470813	6	Cylinder head	
	3803314	6	Cylinder head, exch	Exchange unit
2	423011	6	· Valve seat, intake	STD D
	423208	6	· Valve seat, intake	O.S=0,20mm
3	468448	6	· Valve seat, exhaust	STD D
	468449	6	· Valve seat, exhaust	O.S=0,20mm
4	422320	6	· Valve guide, intake	
5	1545135	6	· Valve guide, exhaust	
6	467365	12	· Plug	
7	469327	12	· Gasket	
8	950543	12	· Pin	
9	273983	6	· Copper sleeve kit	
		6	· · Sleeve	
10	466420	6	· · Steel ring	
10A	466405	6	· · Rubber ring	
11	866736	6	Inlet valve	
12	468303	6	Exhaust valve	
13	468067	12	Valve spring, outer	
14	468066	12	Valve spring, inner	
15	468065	12	Washer	
16	468304	12	Washer	
17	468305	24	Valve collet	
18	478074	12	Valve cap	
19	423266	6	Bearing bracket	
20	423331	18	Screw	
21	423267	6	Shaft	
22	946778	12	· Cap plug	
23	950499	6	· Pin	
24	423263	12	Rocker arm	
25	422066	12	· Bushing	
26	422993	12	· Ball stud	
27	940175	12	· Nut	
28	423269	12	Washer	
29	914459	12	Lock ring	
30	270949	6	Gasket kit	
	470837	6	· Gasket	
30A	423326	12	· Sealing ring	I.D=28,5mm
	422415	12	· Sealing ring	I.D=17,5mm
	422413	6	· Sealing ring	I.D=10,5mm
31	470261	48	Flange screw	
32	423403	5	Cover	
33	423404	1	Cover, oil filling	
34	424692	6	Gasket	
35	955527	12	Screw	
36	942580	12	Gasket	
37	421753	1	Oil filler cap	
38	955126	1	· Screw	
39	1275379	1	Gasket	