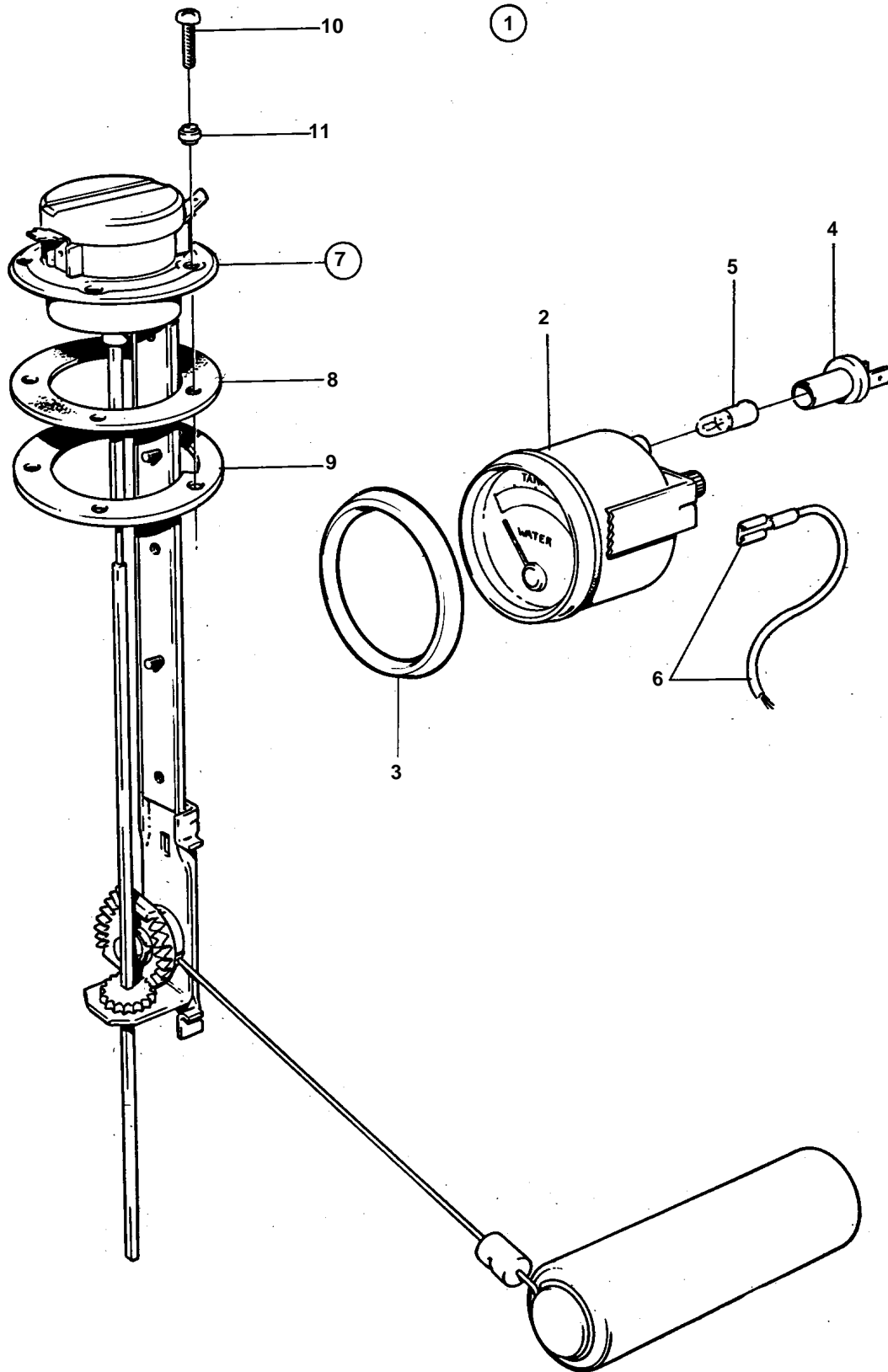


TMD122A, TAMD122A, TAMD122P-A, TAMD122P-B, TAMD122P-C



TMD122A, TAMD122A, TAMD122P-A, TAMD122P-B, TAMD122P-C

REF	PART NO.	QTY	DESCRIPTION	SEE SEC.	NOTES
1		1	Water level gauge ki		24V
2	863943	1	• Tank gauge		
3	858643	1	• Front ring		
4	808175	1	• Bulb socket		
5	182059	1	• Bulb		
6		X	• Electrical materials	1963	
7	834389	1	• Sender		
8	89865	1	• • Gasket		
9	834480	1	• • Flange		
10	956078	4	• • Screw		
	956081	1	• • Screw		
11	834481	5	• • Gasket		