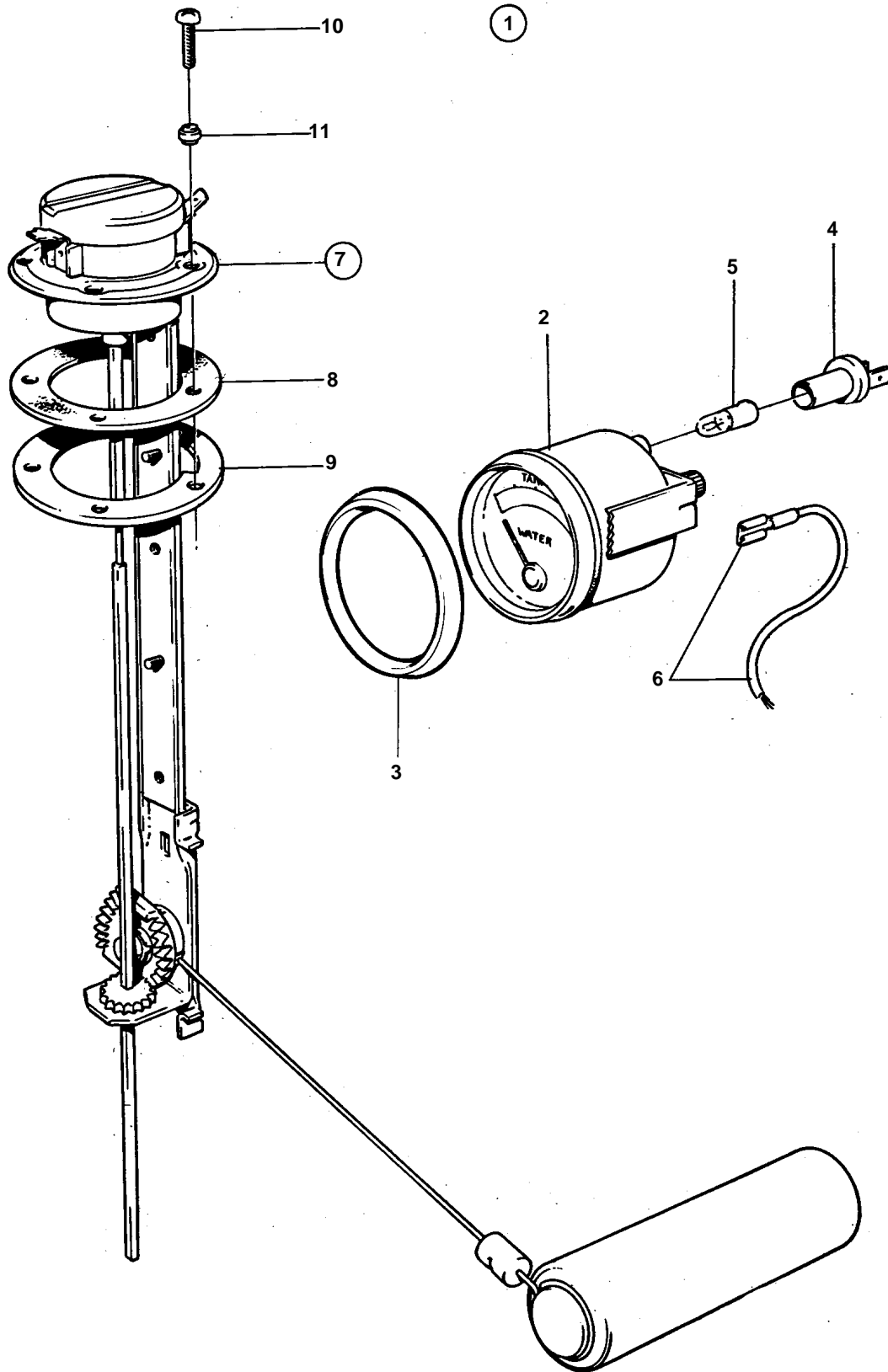


TMD122A, TAMD122A, TAMD122P-A, TAMD122P-B, TAMD122P-C



TMD122A, TAMD122A, TAMD122P-A, TAMD122P-B, TAMD122P-C

REF	PART NO.	QTY	DESCRIPTION	SEE SEC.	NOTES
1		1	Fuel gauge kit		24V
2	863941	1	• Fuel gauge		
3	858643	1	• Front ring		
4	808175	1	• Bulb socket		
5	182059	1	• Bulb		
6		X	• Electrical materials	1963	
7	873772	1	• Tank sensor		(837999)
8	89865	1	• • Gasket		
9	834480	1	• • Flange		
10	956078	4	• • Screw		
	956081	1	• • Screw		
11	834481	5	• • Gasket		