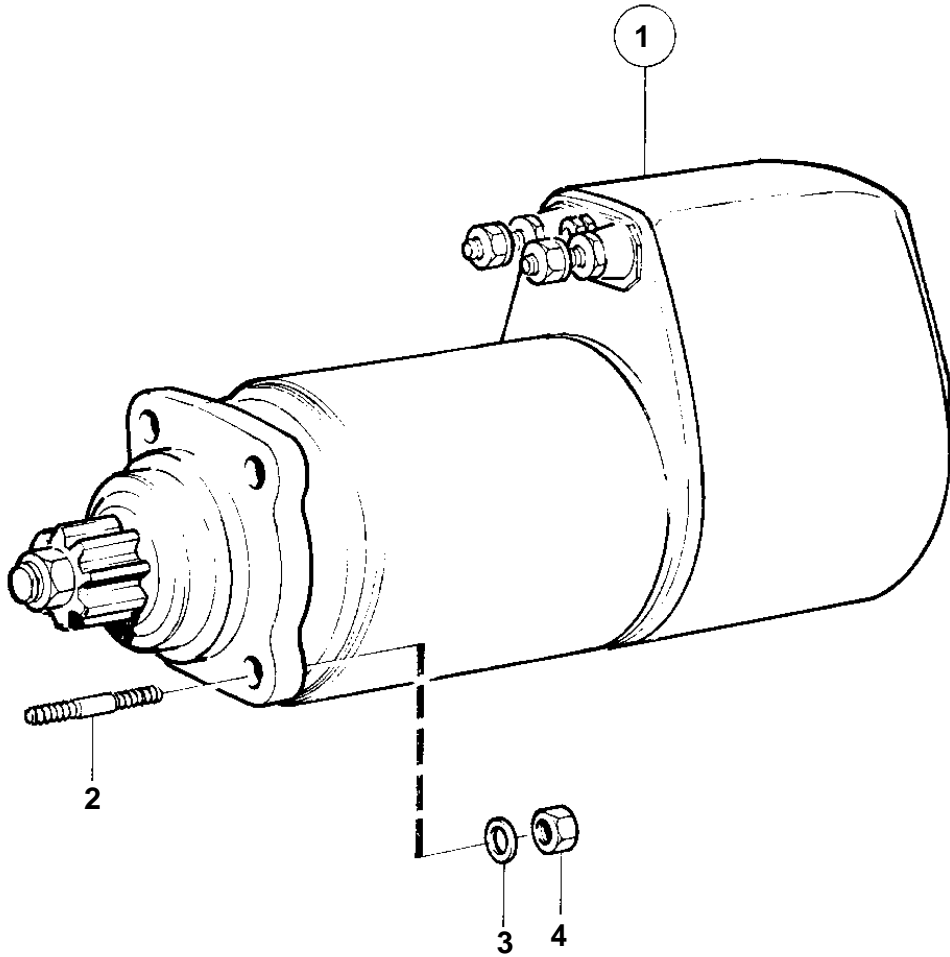


TMD122A, TAMD122A, TAMD122P-A, TAMD122P-B, TAMD122P-C



TMD122A, TAMD122A, TAMD122P-A, TAMD122P-B, TAMD122P-C

REF	PART NO.	QTY	DESCRIPTION	SEE SEC.	NOTES
1	847308	1	Starter motor		24V E.U 3803080. Replaced by 881682
				941	
	881682	1	Starter motor		
	3803598	1	Starter motor, exch		Exchange unit
			Comps. not spec.		
2	953486	3	Stud		
3	942336	3	Spring washer		
4	955827	3	Nut		