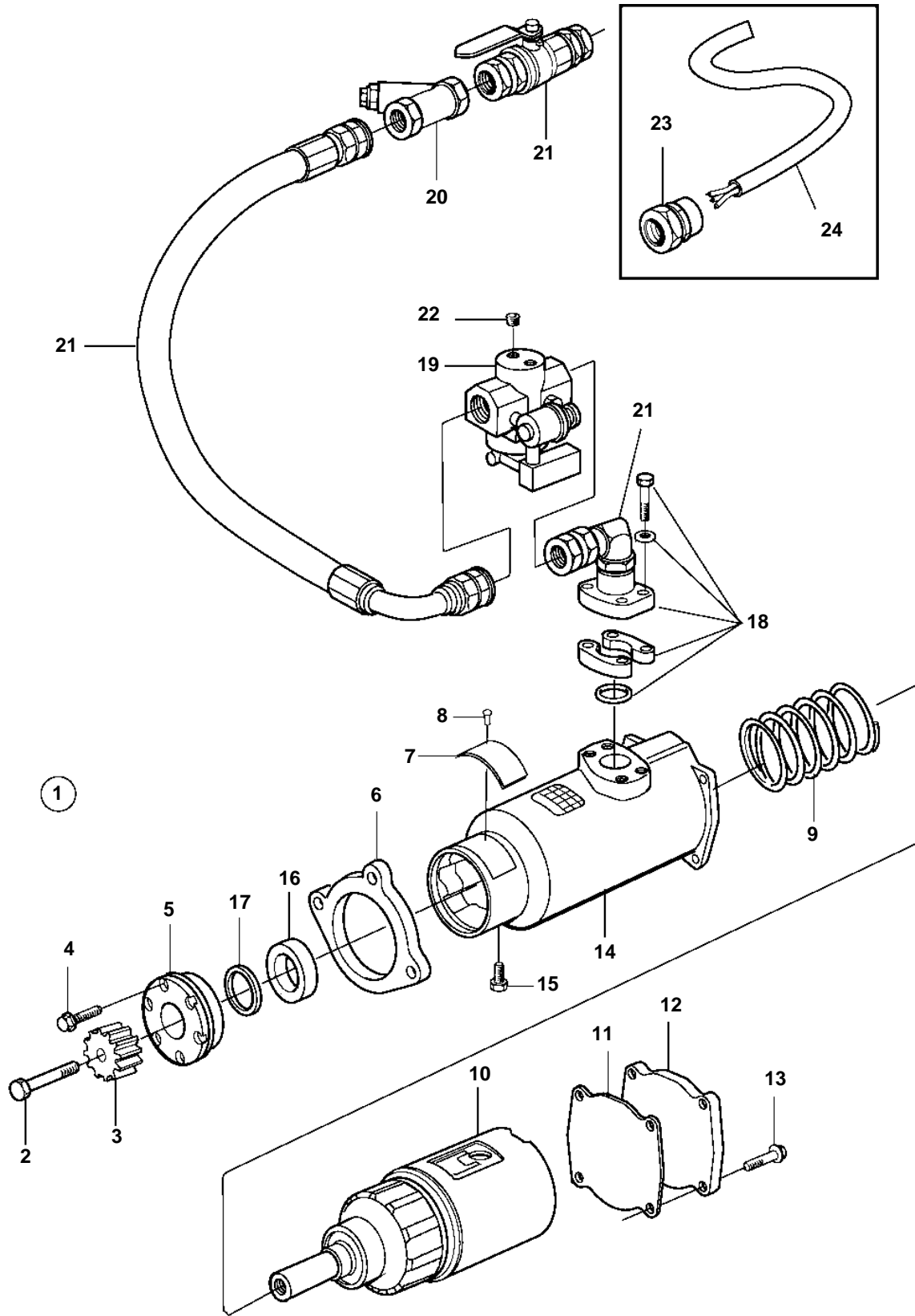


TMD122A, TAMD122A



TMD122A, TAMD122A

REF	PART NO.	QTY	DESCRIPTION		NOTES
1	3829986	1	Starter motor	SO	
2		1	• Screw		
3	3830009	1	• Start gear		
4		6	• Flange screw		
5		1	• Protection		
6		1	• Flange		
7		1	• Type plate		
8		1	• Pin		
9	3830017	1	• Return spring		
10		1	• Rotor		
11		1	• Gasket		
12		1	• Cover		
13		4	• Screw		
14		1	• Housing		
15		1	• Plug		
16	3830024	1	• Bearing	SO	
17	3830025	1	• Seal		
18		1	• Flange		
		2	• • Connection flange		
		4	• • Screw		For spare part take screw 956585 and gasket 18665.
		4	• • Lock washer		For spare part take screw 956585 and gasket 18665.
		1	• • O-ring		
19	3829869	1	Valve		
	877302	1	Valve kit		SEE GROUP 99
	877353	1	Valve kit, Regulator		Tune up kit include diaphragm, seat, springs and plunger of solenoid.
20	3830394	1	Strainer		
21	3829999	1	Hose		
22	952075	1	Plug		
23	881190	2	Cable union		
24	977308	X	Cable		2x1,5sq.mm, L=3000mm