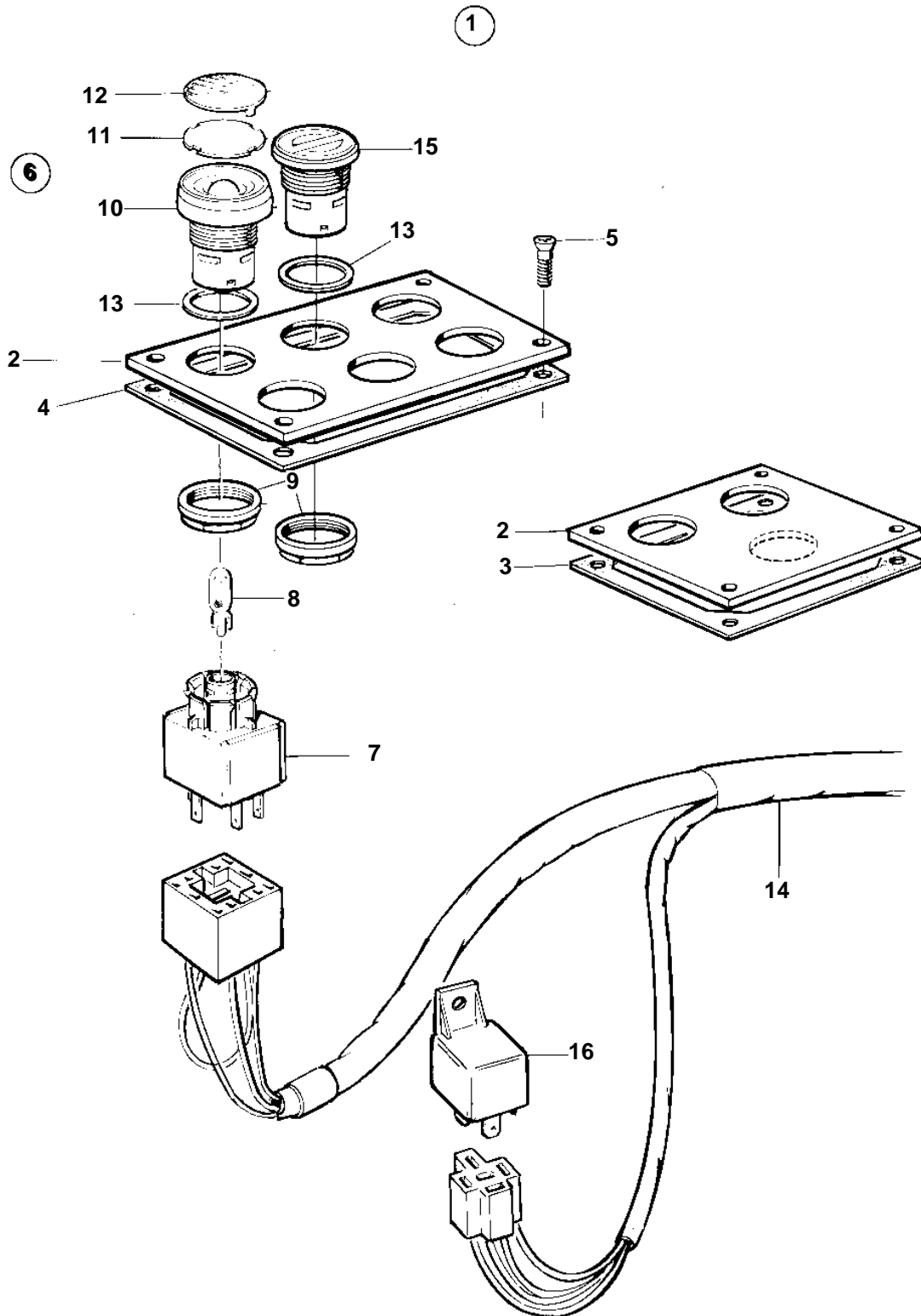


TAMD63L-A, TAMD63L-B, TAMD63P-A, TAMD73P-A, TAMD122P-B, TAMD74C-A, TAMD74L-A, TAMD74P-A, TAMD122P-B, TAMD122P-C



16756

TAMD63L-A, TAMD63L-B, TAMD63P-A, TAMD73P-A, TAMD122P-B, TAMD74C-A, TAMD74L-A, TAMD74P-A, TAMD122P-B, TAMD122P-C

| REF | PART NO. | QTY | DESCRIPTION | NOTES |
|-----|----------|-----|--------------------|---|
| 1 | | 1 | Control panel | 3 HOLE. Single engine installation. For two or more stations. |
| 2 | 873650 | 1 | • Plate | 6 HOLE. Single engine installation. For two or more stations. |
| 3 | 873643 | 1 | • Gasket | |
| 5 | 828647 | 4 | • Screw | |
| 6 | 876950 | 3 | • Push button | |
| 7 | | 3 | • • Connector unit | 24V, 1,2W |
| 8 | 942327 | 3 | • • Bulb | 12V, 1,2W |
| | 943638 | 3 | • • Bulb | 24V, 1,2W |
| 9 | | 3 | • • Attaching ring | |
| 10 | | 3 | • • Button | GREEN |
| 11 | | 18 | • • Symbol strip | YELLOW |
| 12 | | 3 | • • Cover plate | RED |
| | | 3 | • • Cover plate | BLUE |
| | | 3 | • • Cover plate | RED |
| | | 3 | • • Cover plate | BLUE |
| 13 | | 3 | • • Gasket | |
| 14 | 873629 | 1 | • Cable harness | |