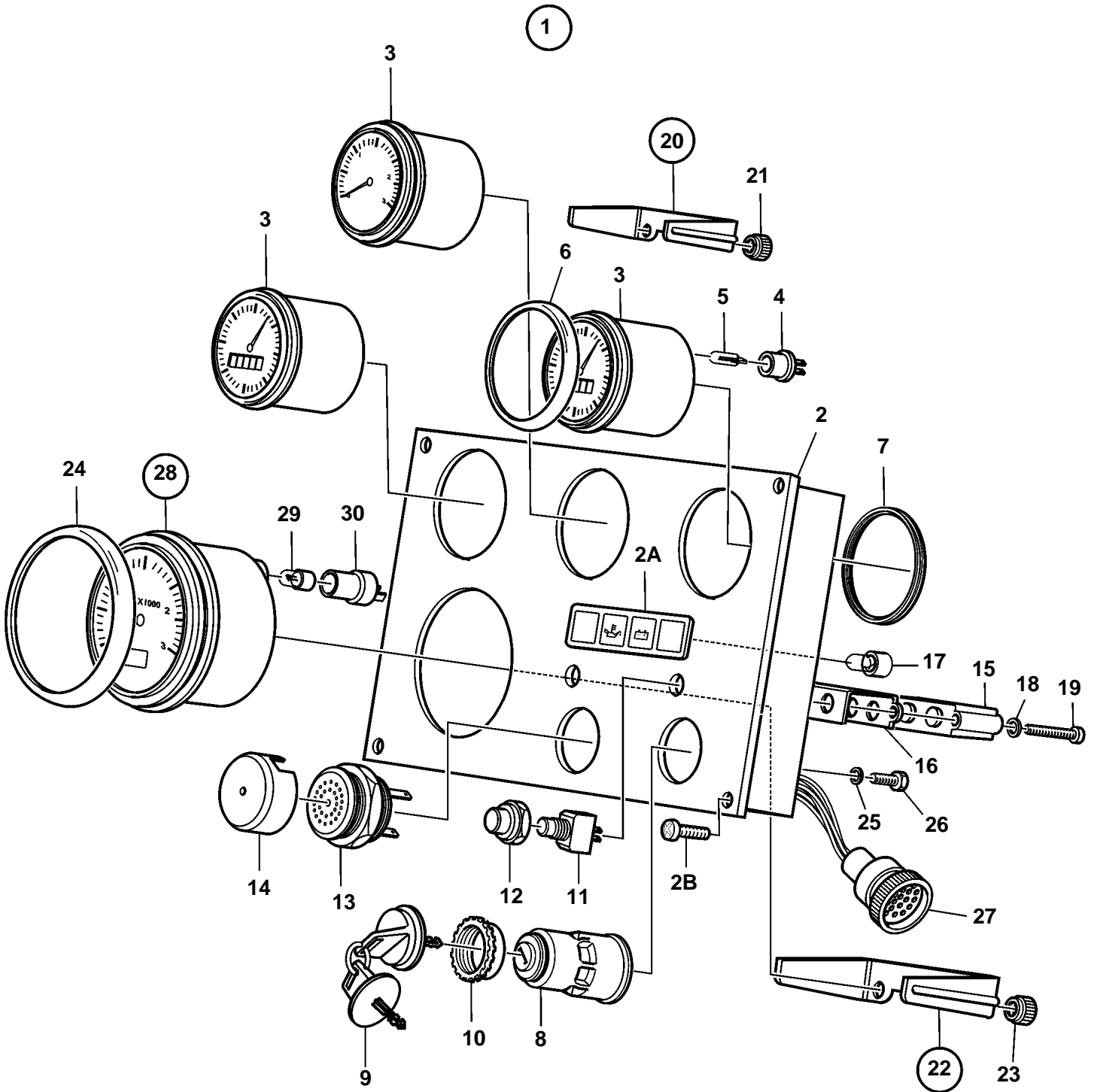


TMD122A, TAMD122A, TAMD122P-A, TAMD122P-B, TAMD122P-C



15483

## TMD122A, TAMD122A, TAMD122P-A, TAMD122P-B, TAMD122P-C

REF	PART NO.	QTY	DESCRIPTION	SEE SEC.	NOTES
1	864046	1	Instrument panel		REPLACED BY 873591
2	860182	1	· Instrument panel		
2A	858645	1	· Symbol strip		
2B	828647	4	· Screw		
3	863933	1	· Thermometer		REPL BY 873196
3	863935	1	· Oil pressure gauge		REPL BY 873198
3	863931	1	· Voltmeter		REPL BY 873200
4	863945	3	· · Bulb socket		
5	863947	3	· · Bulb		
6	858643	3	· Front ring		D=52mm
7	828803	3	· Ring		
8	864277	1	· Starter switch		
9	859953	1	· · Key		State key code when ordering.
			· · Bulletin 49-30	49-30-EN	Key P/N 859953
10	859955	1	· · Plastic nut		
11	828584	1	· Switch		TEST ALARM
	828585	1	· Switch		INSTR. LIGHT
12	828586	2	· Nut		
13	828587	1	· Buzzer		
14	858795	1	· Protecting casing		
15	873737	1	· Electronic unit		(828783)
16	828784	1	· Reflector		
17	828818	4	· Bulb		24V
18	941904	2	· Spring washer		
19	941615	2	· Screw		
24	858644	1	· Front ring		
25	941904	1	· Spring washer		
26	949947	1	· Screw		
27	828646	1	· Cable trunk		
28	864021	1	· Tachometer		2600 RPM REPL BY 854910
	854910	1	· Tachometer		2600 RPM