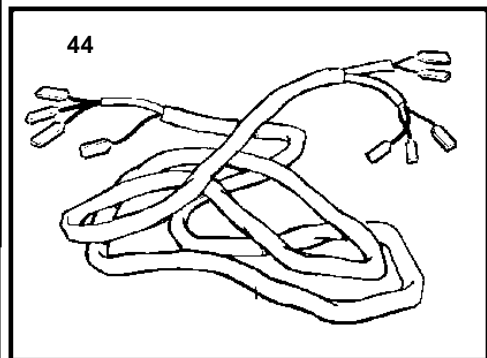
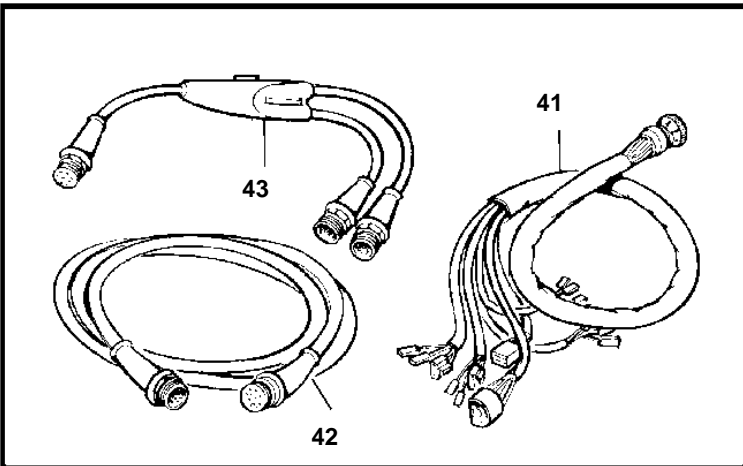
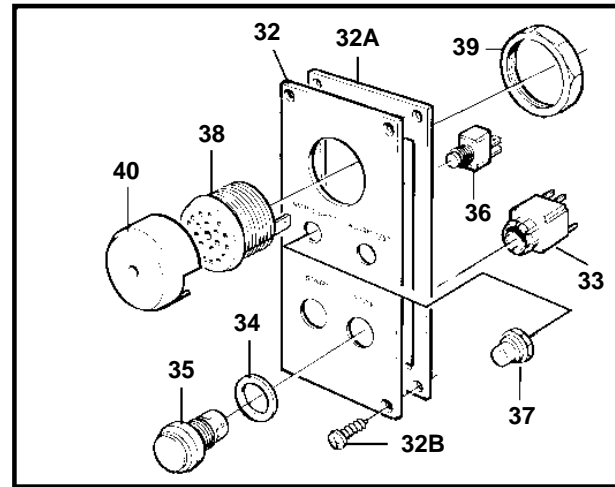
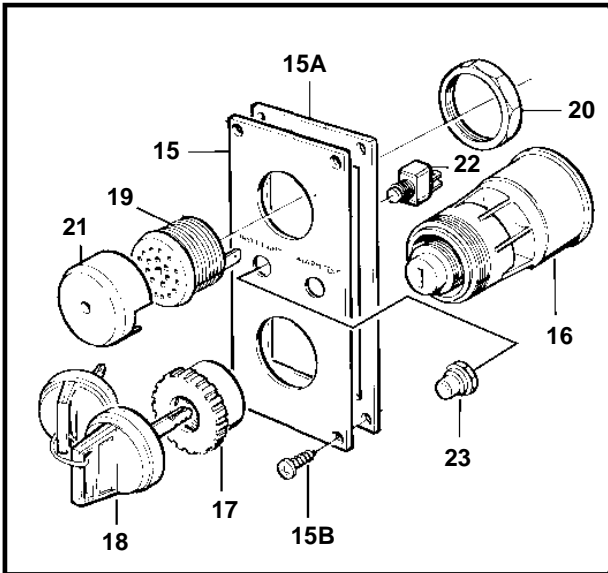
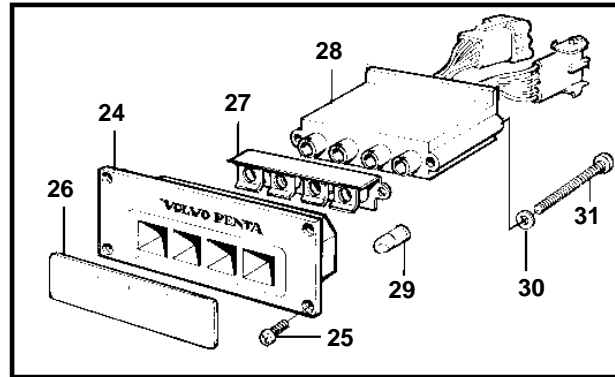
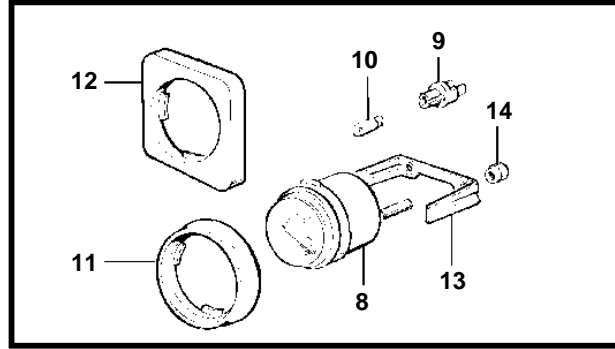
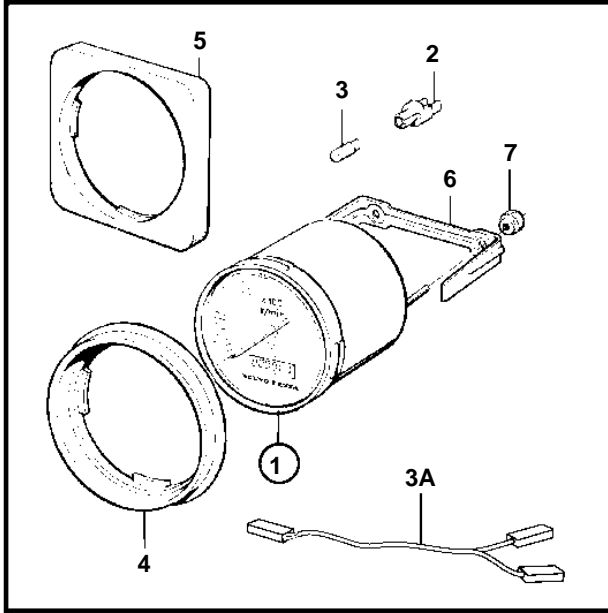


TMD122A, TAMD122A, TAMD122P-A, TAMD122P-BTMD122A, TAMD122A, TAMD122P-A, TAMD122P-B, TAMD122P-C



19603

TMD122A, TAMD122A, TAMD122P-A, TAMD122P-BTMD122A, TAMD122A, TAMD122P-A, TAMD122P-B, TAMD122P-C

REF	PART NO.	QTY	DESCRIPTION	SEE SEC.	NOTES
1	873585	1	Rev counter kit		2600 RPM
	873669	1	Rev counter kit		2600 RPM
	873995	1	Rev counter kit		2600 RPM
	874496	1	Rev counter kit		
2	863945	1	• Bulb socket		
3	863947	1	• Bulb		
3A		1	Cable kit		
4	873517	1	Front ring		ALT, D=75mm
5	873210	1	Instrument frame		ALT, D=75mm
6	873208	1	Retainer		
7		2	• Nut		
8	873206	1	Turbo pressure gauge		
	873196	1	Temperature gauge		40-120°C
	873198	1	Oil pressure gauge		10x100kPa
	873202	1	Oil pressure gauge, reverse gear		30x100kPa
	873200	1	Voltmeter		
9	863945	1	• Bulb socket		
10	863947	1	• Bulb		
11	858643	1	Front ring		ALT, D=52mm
12	856822	1	Instrument frame		ALT, D=52mm
13	873207	1	Retainer		
14		2	• Nut		
15	873271	1	Panel		
15A	873273	1	Gasket		
15B	828647	4	Screw		
16	864277	1	Starter switch		
17	859955	1	• Plastic nut		
18	859953	2	• Key		State key code when ordering.
			• Bulletin 49-30	49-30-EN	Key P/N 859953
19	828587	1	Buzzer		
20		1	• Nut		
21	858795	1	Protecting casing		
22	828584	1	Switch		ALARM TEST
	828585	1	Switch		INSTR. LIGHT
23	828586	2	Nut		
24	858876	1	Symbol panel		
25	828647	4	• Screw		
26	858645	1	• Symbol strip		For: coolant temperature, oil pressure, battery charging and preheater.
	873559	1	Symbol strip		For: oil level, coolant level, water in fuel filter and extra alarm.
27	828784	1	Reflector		
28	873737	1	Electronic unit		For: coolant temperature, oil pressure, battery charging and preheater.
	873211	1	Electronic unit		For: oil level, coolant level, water in fuel filter and extra alarm.
29	828818	4	Bulb		
30	941904	2	Spring washer		
31	941615	2	Screw		
32	873272	1	Panel		
32A	873273	1	Gasket		
32B	828647	4	Screw		
33	876950	1	Push button		START, GREEN (873274). Replaced by 1ea push button 876950.
	876950	1	Push button		STOP, RED (873275). Replaced by 1ea push button 876950.
34		2	• Gasket		
35		2	• Push button		
36	828584	1	Switch		ALARM TEST
	828585	1	Switch		INSTR. LIGHT
37	828586	2	Nut		
38	828587	1	Buzzer		

TMD122A, TAMD122A, TAMD122P-A, TAMD122P-BTMD122A, TAMD122A, TAMD122P-A, TAMD122P-B, TAMD122P-C

REF	PART NO.	QTY	DESCRIPTION	SEE SEC.	NOTES
39		1	• Nut		
40	858795	1	Protecting casing		
41	873579	1	Wiring harness		MAIN STATION
	873580	1	Wiring harness		FLY BRIDGE
42	846648	X	Extension cable		L=3,0m
	846649	X	Extension cable		L=5,0m
	846650	X	Extension cable		L=7,0m
	873838	X	Extension cable		L=9,0m
	873839	X	Extension cable		L=11,0m
43	1140598	X	Y-koppling		
44	866894	1	Wiring harness		