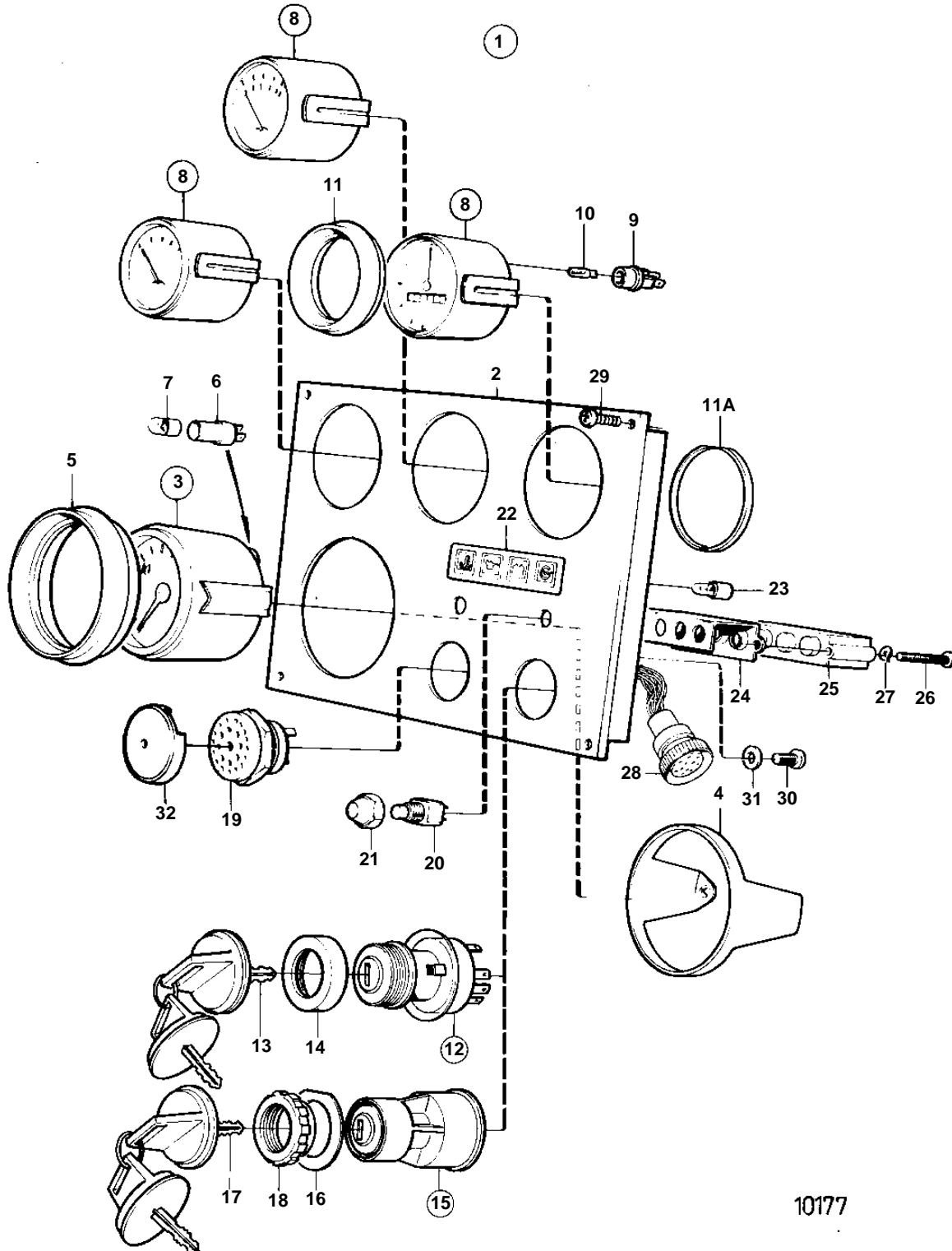


TMD122A, TAMD122A



10177

TMD122A, TAMD122A

REF	PART NO.	QTY	DESCRIPTION	NOTES
1	862579	1	Instrument panel	REPLACED BY 864046. White coloured stripe.
2	860182	1	• Instrument panel	White coloured stripe.
3	854910	1	• Tachometer	
4	849523	1	• • Attaching ring	
5	858644	1	• Front ring	(828559)
6	808175	1	• Bulb socket	Fits bulb with base BA 7S.
7	182059	1	• Bulb	24V, 3W BA7S
8	863933	1	• Thermometer	
8	863935	1	• Oil pressure gauge	For bulb with base W2X4,6d.
	873200	1	• Voltmeter	(863931)
9	863945	3	• • Bulb socket	For bulb with base W2X4,6d.. For instruments of early production should white bulb 182059 and bulb holder 808175 be mounted.
10	863947	3	• • • Bulb	RED, 24V, 1,2W W2x4,6d. For instruments of early production should white bulb 182059 and bulb holder 808175 be mounted.
11	858643	3	• Front ring	
11A	828803	3	• Ring	
12	828778	1	• Starter switch	REPLACED BY 864277
13	828676	2	• • Key	SO State key code when ordering.
14	1581184	1	• Round nut	
19	828587	1	• Buzzer	
20	828584	1	• Switch	ALARM TEST
	828585	1	• Switch	INSTR. LIGHT
21	828586	2	• Nut	
22	858645	1	• Symbol strip	
23	828818	4	• Bulb	
24	828784	1	• Reflector	
25	873209	1	• Electronic unit	(828783)
26	941615	2	• Screw	
27	941904	2	• Spring washer	
28	828646	1	• Cable trunk	
29	828647	4	• Screw	
30	949947	1	• Screw	
31	941904	1	• Spring washer	
32	858795	1	• Protecting casing	