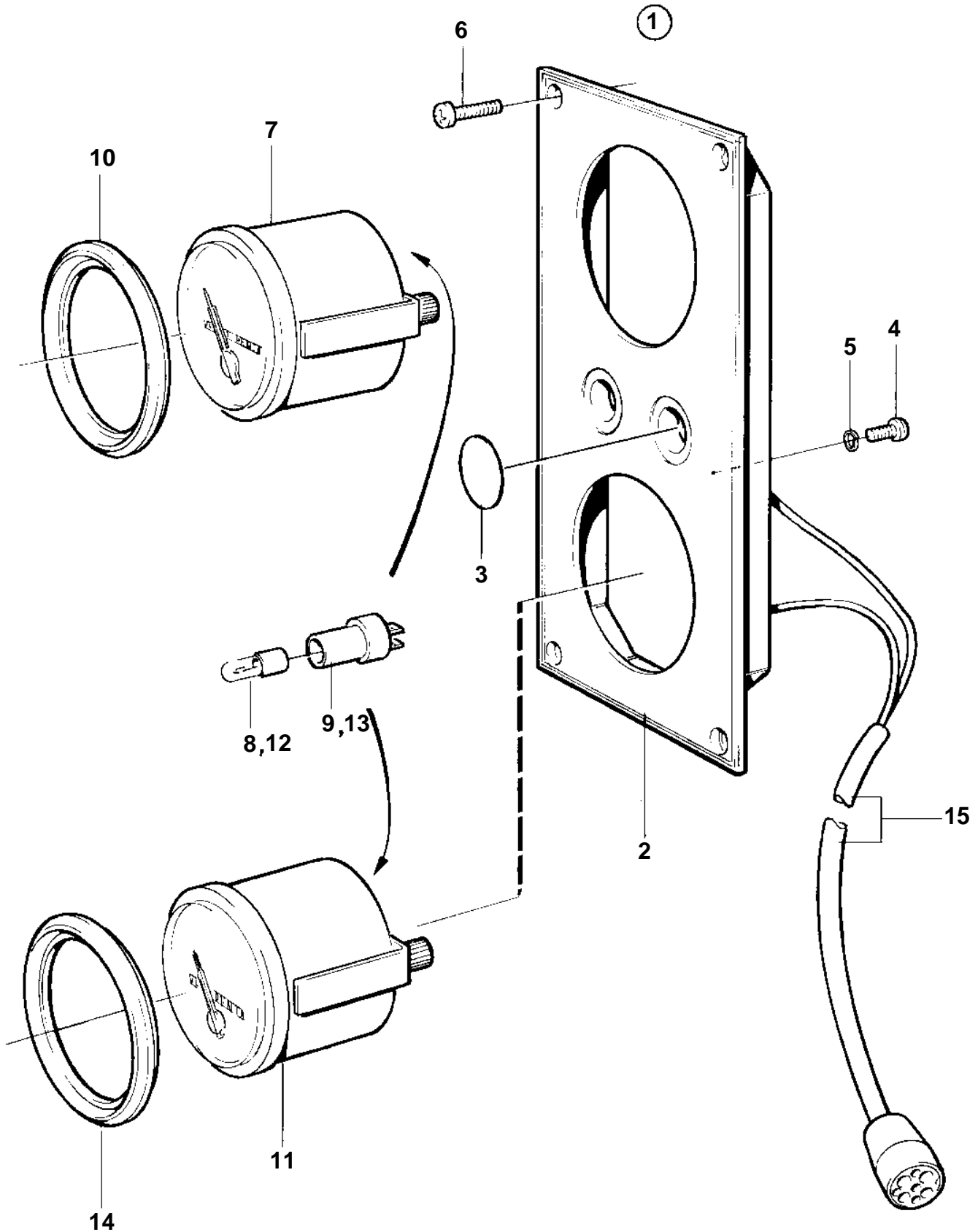


TMD122A, TAMD122A, TAMD122P-A, TAMD122P-B, TAMD122P-C



TMD122A, TAMD122A, TAMD122P-A, TAMD122P-B, TAMD122P-C

REF	PART NO.	QTY	DESCRIPTION	SEE SEC.	NOTES
1	864053	1	Instrument panel		
2		1	· Instrument panel		
3	828607	2	· · Cover plate		
4	949947	1	· · Screw		
5	941904	1	· · Spring washer		
6	828647	4	· · Screw		
7	863937	1	· Oil pressure gauge		REPLACED BY 873202+873207
8	863947	1	· · Bulb		RED. For instruments of early production should white bulb 182059 and bulb holder 808175 be mounted.
9	863945	1	· · Bulb socket		For instruments of early production should white bulb 182059 and bulb holder 808175 be mounted.
10	858643	1	· Front ring		
11	864018	1	· Pressure gauge		REPL BY 873206+873207
12	863947	1	· · Bulb		RED. For instruments of early production should white bulb 182059 and bulb holder 808175 be mounted.
13	863945	1	· · Bulb socket		For instruments of early production should white bulb 182059 and bulb holder 808175 be mounted.
14	858643	1	· Front ring		
15		1	· Cable trunk Electrical materials	1963	Turbocharge-reverse gear.