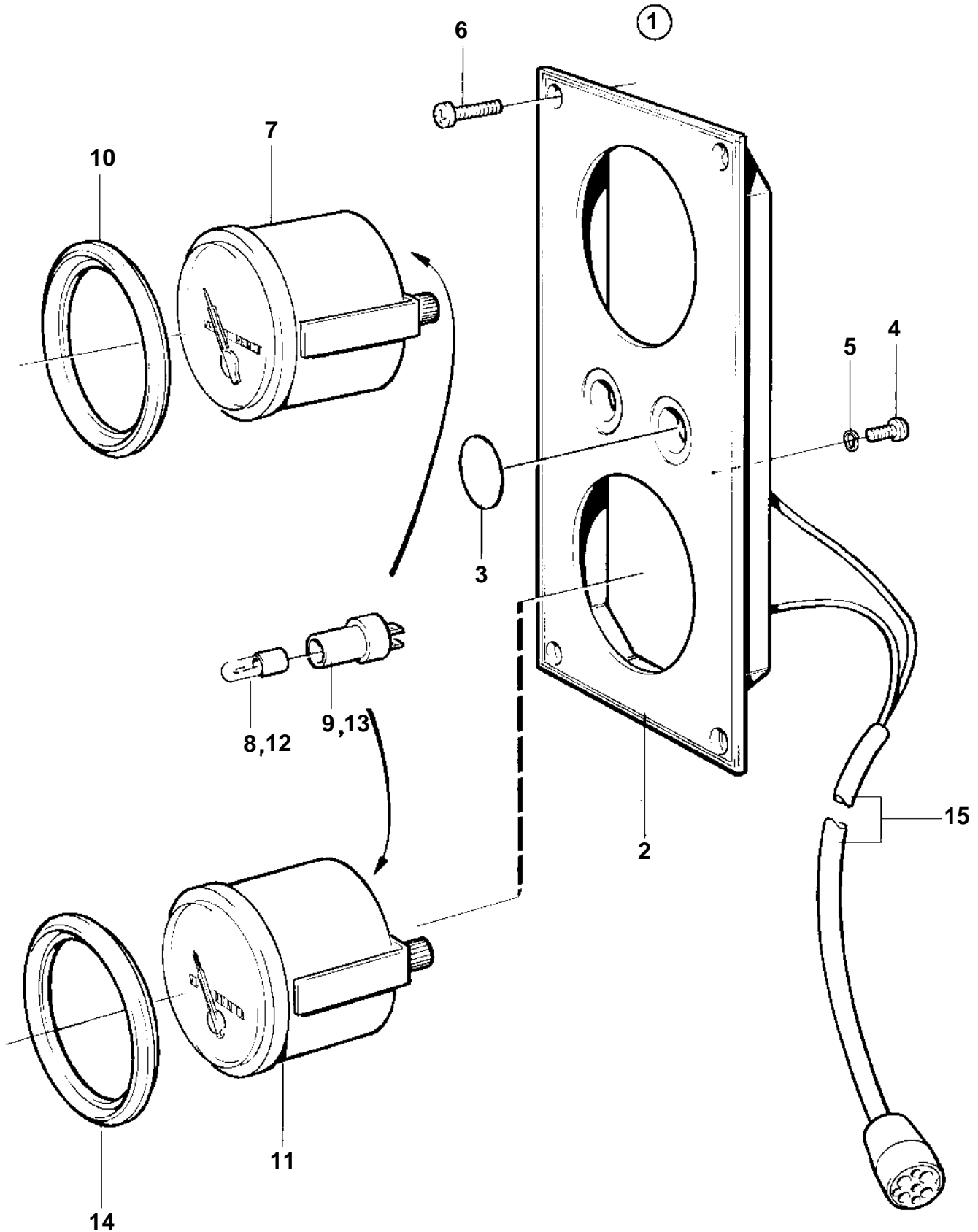


TMD122A, TAMD122A, TAMD122P-A, TAMD122P-B, TAMD122P-C



TMD122A, TAMD122A, TAMD122P-A, TAMD122P-B, TAMD122P-C

| REF | PART NO. | QTY | DESCRIPTION | SEE SEC. | NOTES |
|-----|----------|-----|---------------------------------------|----------|--|
| 1 | 864050 | 1 | Instrument panel | | White coloured stripe. |
| 2 | | 1 | · Instrument panel | | |
| 3 | 828607 | 2 | · · Cover plate | | |
| 4 | 949947 | 1 | · · Screw | | |
| 5 | 941904 | 1 | · · Spring washer | | |
| 6 | 828647 | 4 | · · Screw | | |
| 7 | 863937 | 1 | · Oil pressure gauge | | REPLACED BY 873202+873207 |
| 8 | 863947 | 1 | · · Bulb | | RED. For instruments of early production should white bulb 182059 and bulb holder 808175 be mounted. |
| 9 | 863945 | 1 | · · Bulb socket | | For instruments of early production should white bulb 182059 and bulb holder 808175 be mounted. |
| 10 | 858643 | 1 | · Front ring | | |
| 11 | 863939 | 1 | · Turbo pressure gauge, 0-2bar | | REPLACED BY 873204+873207 |
| 12 | 863947 | 1 | · · Bulb | | RED. For instruments of early production should white bulb 182059 and bulb holder 808175 be mounted. |
| 13 | 863945 | 1 | · · Bulb socket | | For instruments of early production should white bulb 182059 and bulb holder 808175 be mounted. |
| 14 | 858643 | 1 | · Front ring | | |
| 15 | | 1 | · Cable trunk Electrical materials | 1963 | Turbocharge-reverse gear. |