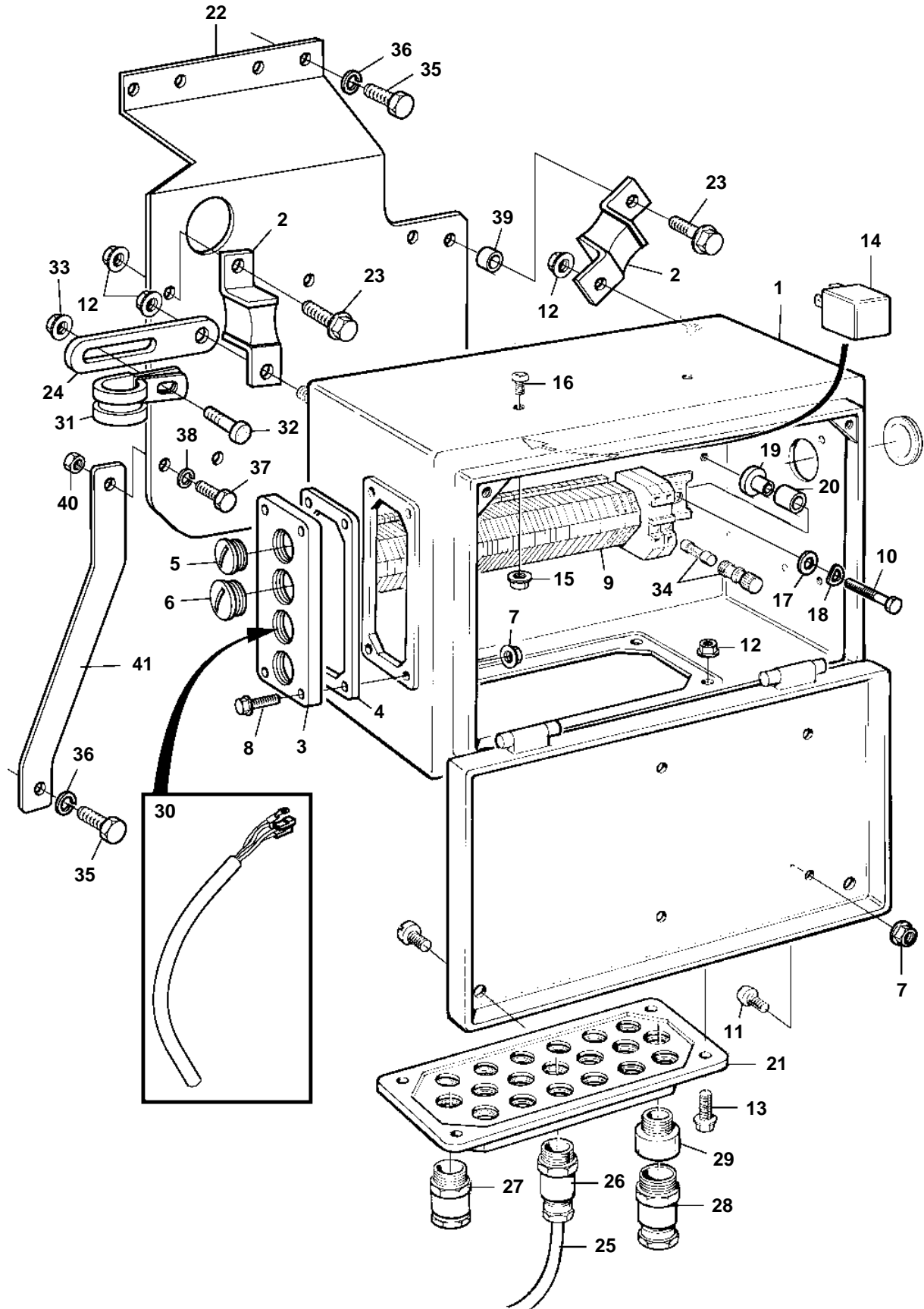


TMD122A, TAMD122A



TMD122A, TAMD122A

REF	PART NO.	QTY	DESCRIPTION	SEE SEC.	NOTES
1	873885	1	Electrical distribut		REPL BY 874647
	874647	1	Electrical distribut		
2	845513	2	Absorber		
3	843094	1	Flange		
4	843578	1	Gasket		
5	843903	3	Plug		
6	843904	1	Plug		
7	963105	8	Nut		M6
8	946544	4	Flange screw		M6x16
9	874698	1	Terminal block		(874158)
10	956081	2	Screw		M5x25
11	956093	4	Screw		M6x14
12	948645	9	Lock nut		M8
13	946440	4	Flange screw		M8x16mm
14	20374662	5	Relay		(9518230)
15	963104	2	Nut		M5
16	956075	2	Screw		M5x10
17	960138	2	Washer		
18	941905	2	Spring washer		
19	824830	2	Spacer sleeve		
20	403894	2	Spacer sleeve		
21		1	Flange		
22	846819	1	Bracket		
23	946173	4	Flange screw		M8x20mm
24	965534	2	Bracket		
25	874854	X	Cable		2x1,5sq.mm. Non reinforced ship cable approved by classification societies.
26	881191	X	Cable union		7,5-10,5mm, PR 18,6
27	844576	X	Cable union		9,5-12,0mm, PR 18,6
28	881192	X	Cable union		12,5-15,0mm, PR 22,5
29	872939	1	Adapter, electr box-altern-starter	SO	
30		1	Cable kit		(873711)
31	952637	2	Clamp		
32	956093	2	Screw		
33	949278	2	Lock nut		
34	873712	5	Fuse		
35	940114	3	Screw, Cables and terminals	1963	
36	942336	3	Spring washer, converter		
37	955524	1	Screw		
38	941907	1	Spring washer		
39	845589	1	Spacer sleeve		
40	955826	1	Nut		
41	846911	1	Bracket		