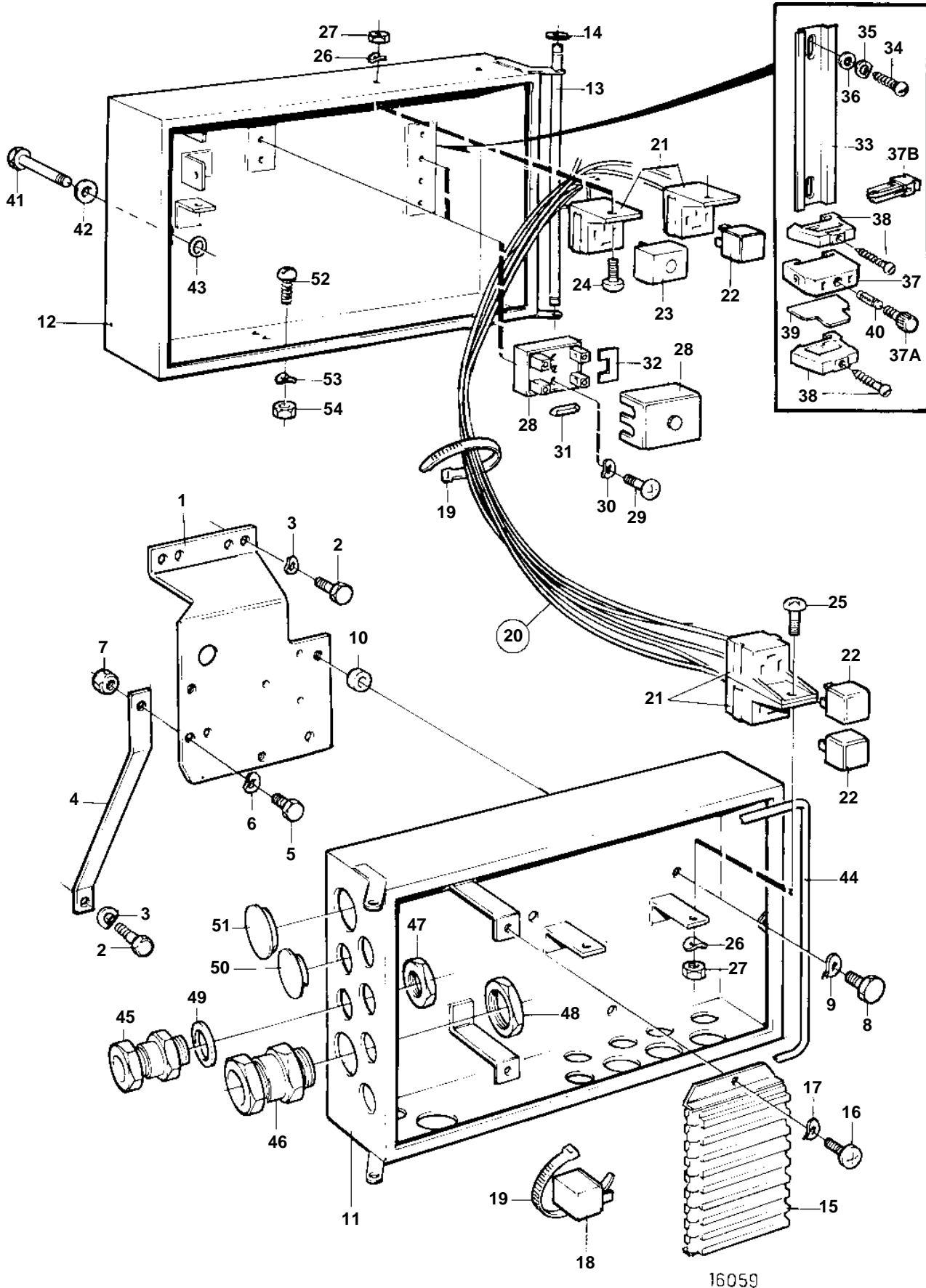


TMD122A, TAMD122A



16059

TMD122A, TAMD122A

REF	PART NO.	QTY	DESCRIPTION		NOTES
1	846819	1	Bracket		
2	940114	3	Screw		
3	942336	3	Spring washer		
4	846911	1	Bracket		
5	955524	1	Screw		
6	941907	1	Spring washer		
7	955826	1	Nut		
8	955297	3	Screw		
9	941907	3	Spring washer		
10	845589	3	Spacer sleeve		
11	843124	1	Electrical distribut	SO	
12	843126	1	Cover		
13	837838	1	Shaft		
14	951667	2	Lock ring		
15	843095	1	Terminal block		
16	956075	2	Screw		
17	941905	2	Spring washer		
18	837722	1	Resistor		
19	948211	X	Strip clamp		
20		1	Cable trunk		
21	977184	7	· Tab housing		(946556)
22	877306	6	Relay kit		(8153600)
23	842987	1	Voltage sensor		
24	956075	2	Screw		
25	956076	2	Screw		
26	941905	4	Spring washer		
27	955780	4	Nut		
28	88578	4	Fuse box		EARLY TYPE
29	956060	8	Screw		EARLY TYPE
30	941904	8	Spring washer		EARLY TYPE
31	942545	4	Fuse		EARLY TYPE
	11433	2	Fuse		EARLY TYPE
	943905	2	Fuse		EARLY TYPE
32	842390	2	Bridge connector		EARLY TYPE
33		1	Rail		LATE TYPE
34	956058	2	Screw		LATE TYPE
35	960137	2	Washer		LATE TYPE
36	941904	2	Spring washer		LATE TYPE
37	872892	4	Fuse board		LATE TYPE
37A		4	· Fuse holder		LATE TYPE
37B		X	Brace		LATE TYPE
38		2	Stop		LATE TYPE
		1	· Screw		LATE TYPE
39		1	End plate		LATE TYPE
40	862962	4	Fuse		LATE TYPE. Fuse, type glass tube 8 AMP.
41	955261	1	Screw		
42	960138	1	Washer		
43	955978	1	Rubber ring		
44		X	Sealing strip		
45	822327	X	Cable union		
	881192	X	Cable union		
46	881193	X	Cable union		
47	880243	X	Nut		
48	880755	X	Nut		
49	957185	X	Gasket		
50	94081	X	Rubber plug		
51	662620	X	Rubber button		
52	956075	2	Screw		
53	941905	2	Spring washer		
54	955780	2	Nut		