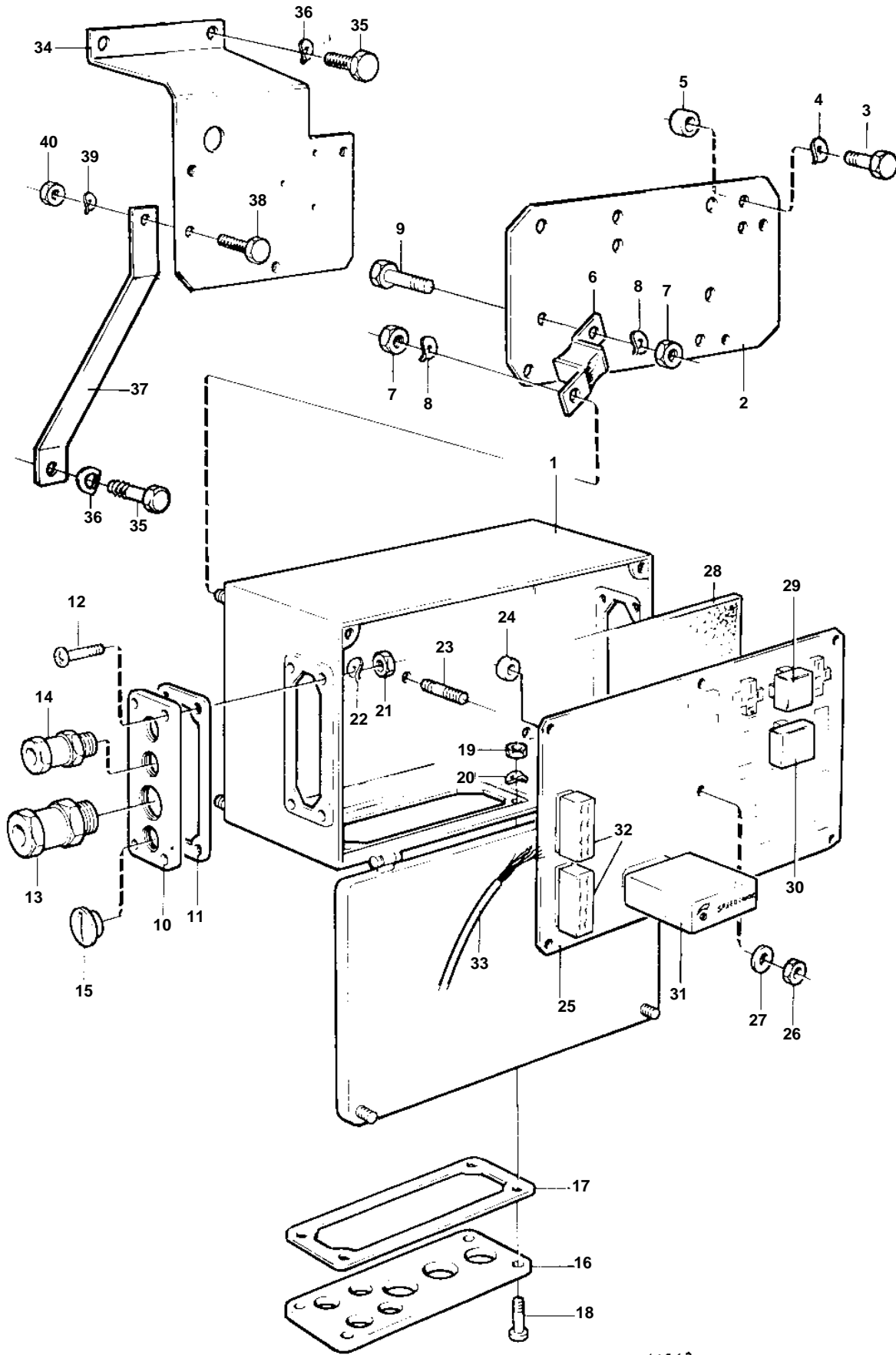


TMD122A, TAMD122A



16068

TMD122A, TAMD122A

REF	PART NO.	QTY	DESCRIPTION	SEE SEC.	NOTES
1	843536	1	Box		REPL BY 874647
	874647	1	Electrical distribut		
2		1	Attaching plate		
3	940142	3	Screw		
4	941907	3	Spring washer		
5	807183	3	Spacer sleeve		
6	845513	4	Absorber		
7	955782	8	Nut		
8	941907	8	Spring washer		
9	955295	4	Screw		
10	843094	2	Flange		
11	843578	2	Gasket		
12	956093	8	Screw		
13	881193	2	Cable union		
14	822327	2	Cable union		
15		X	Plug		
	843903	X	Plug		
	843904	X	Plug		
16	843577	1	Flange		
17		1	Gasket		
18		4	Screw		
19	955782	4	Nut		
20	941907	4	Spring washer		
21	955781	8	Nut		
22	941906	8	Spring washer		
23		6	Stud		
24		6	Washer		
25	843375	1	Circuit board		
26	963104	6	Nut		
27		12	Washer		
28		1	Absorber		
29	877306	15	Relay kit		(8153600)
30	842987	1	Voltage sensor	2304	
31	843910	1	Race gard	2175	
32	944077	4	Housing		
33		X	Electrical materials	1963	
34	846819	1	Bracket		
35	940114	3	Screw		
36	942336	3	Spring washer		
37	846911	1	Bracket		
38	955524	1	Screw		
39	941907	1	Spring washer		
40	955826	1	Nut		