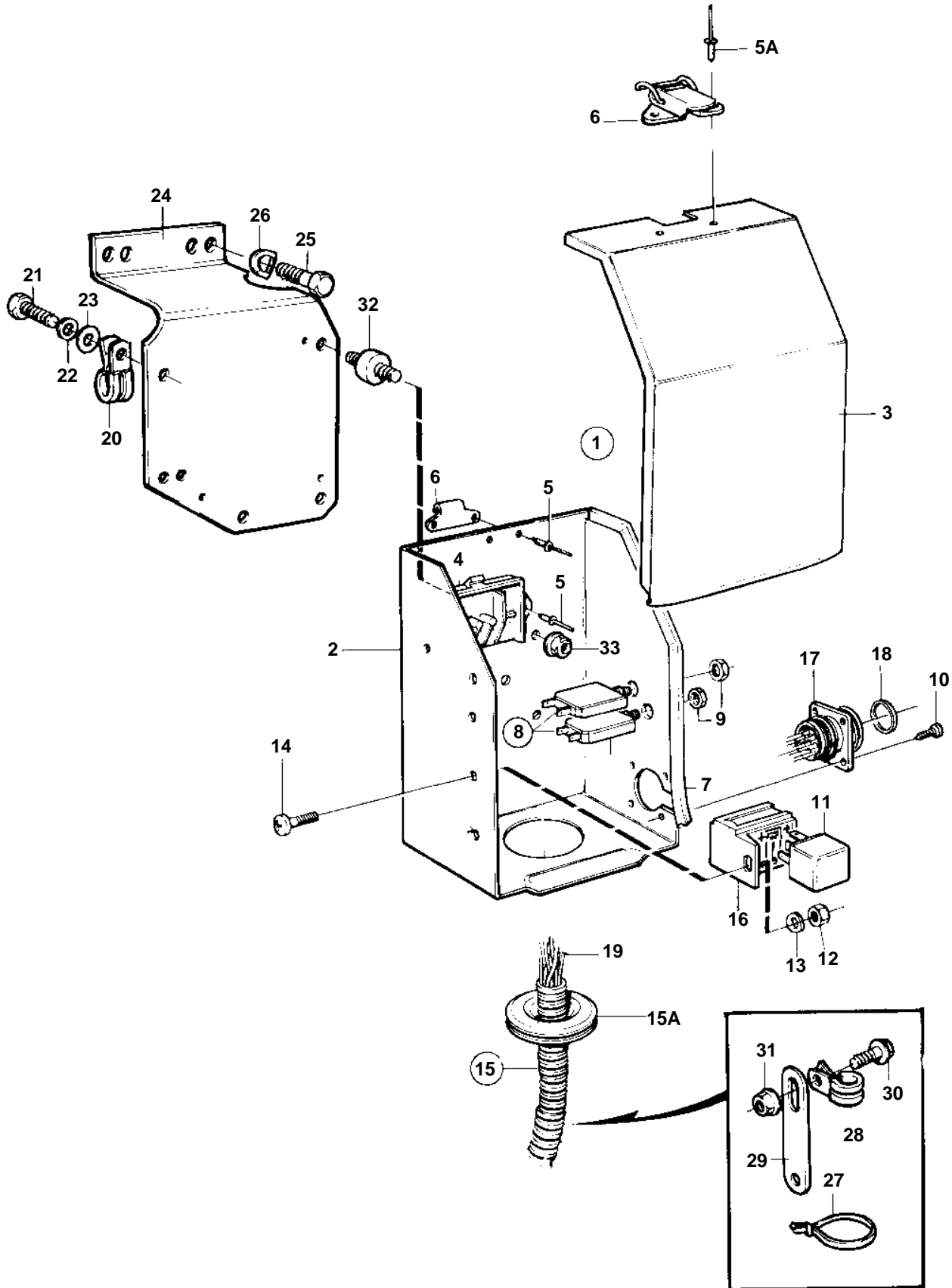


TAMD122P-A



TAMD122P-A

REF	PART NO.	QTY	DESCRIPTION	SEE SEC.	NOTES
1	3825254	1	Electrical distribut		LATE TYPE
2		1	• Box		
3	3825253	1	• Cover		
4	1234048	1	• Lower section		
5	942670	2	• Rivet		
5A	965592	4	• Rivet		
6	3825257	1	• Tension lock		
7	1214306	1	• Protecting moulding		
8	966689	2	Fuse		
9		2	• Nut		
10	955119	4	Screw		
11	877306	2	Relay kit		(8153600)
12	955780	4	Nut		
13	941905	4	Spring washer		
14	956075	4	Screw		
15	873631	1	Wiring harness		
15A	943920	1	• Protecting plug		
16	977184	2	• Tab housing		
17	846611	1	• Sleeve connector		
18	846615	1	• Sealing ring		
19		X	• Electrical materials	1963	
		X	• Electrical materials	1964	
		X	• Electrical materials	1965	
20	947191	1	Clamp		
21	955294	1	Screw		
22	941907	1	Spring washer		
23	976944	1	Washer		(960141)
24	3825401	1	Bracket		
25	940114	2	Screw		
26	942336	2	Spring washer		
27	948211	X	Strip clamp		
28	947827	5	Clamp		
29	965539	2	Bracket		
30	945414	2	Screw		
31	949278	2	Lock nut		
32	3574797	3	Rubber cushion		
33	949278	1	Lock nut		