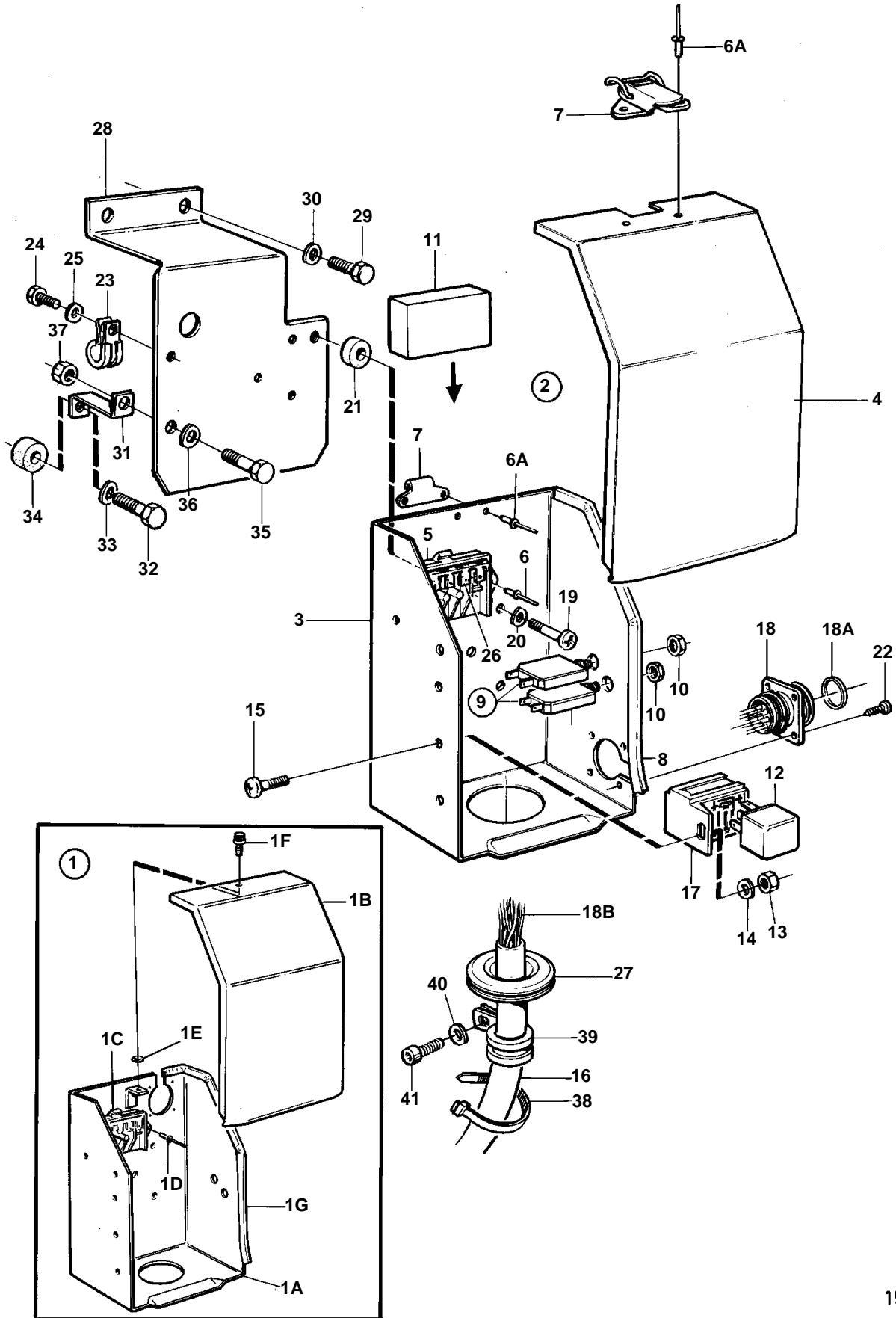


TMD122A, TAMD122A



15360

TMD122A, TAMD122A

REF	PART NO.	QTY	DESCRIPTION	SEE SEC.	NOTES
1	846660	1	Electrical distribut		REPLACED BY 3825254
1A	846791	1	· Box		REPLACED BY 3825254
1B		1	· Cover		
1C	1234048	1	· Lower section		
1D	942670	2	· Rivet		
1E	925051	1	· O-ring		
1F	846736	1	· Lock screw		
1G	1214306	1	· Protecting moulding		
2	3825254	1	Electrical distribut		LATE TYPE
3		1	· Box		
4	3825253	1	· Cover		
5	1234048	1	· Lower section		
6	942670	2	· Rivet		
6A	965592	4	· Rivet		
7	3825257	1	· Tension lock		
8	1214306	1	· Protecting moulding		
9	966689	2	Fuse		
10		2	· Nut		
11	9162425	1	Upper section		(1234264)
12	877306	2	Relay kit		(8153600)
13	955780	5	Nut		
14	941905	5	Spring washer		
15	956075	5	Screw		
16	862859	1	Cable trunk		
17	977184	2	· Tab housing		
18	846611	1	· Sleeve connector		
18A	846615	1	· Sealing ring		
18B		X	· Electrical materials	1963	
19	956095	3	Screw		
20	941906	3	Spring washer		
21	843075	3	Sleeve		
22	955119	4	Screw		
23	949747	1	Clamp		
24	955294	1	Screw		
25	941907	1	Spring washer		
26	1234263	1	Pin		
27	943920	1	Protecting plug		
28	846819	1	Bracket		
29	940114	2	Screw		
30	942336	2	Spring washer		
31	846911	1	Bracket		
32	955524	1	Screw		
33	941907	1	Spring washer		
34		1	Sleeve		
35	956567	1	Screw		
36	941907	1	Spring washer		
37	955827	1	Nut		
38	948211	X	Strip clamp		
39	949746	1	Clamp		Mounted on the heat exchanger.
40	946670	1	Flange screw		
41	941907	1	Spring washer		