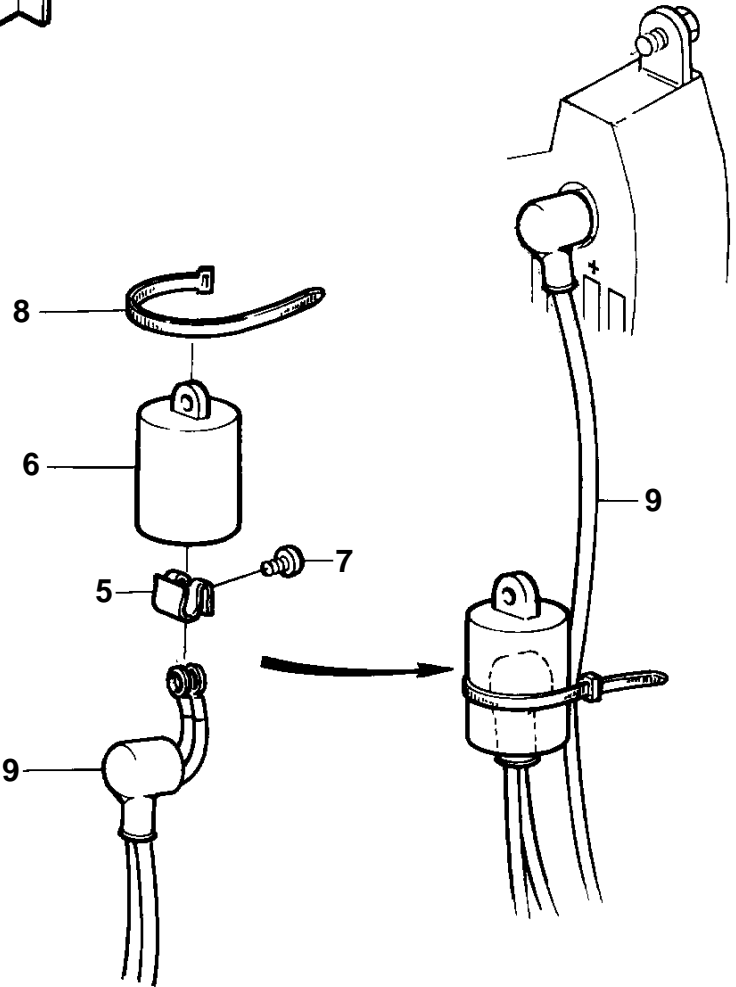
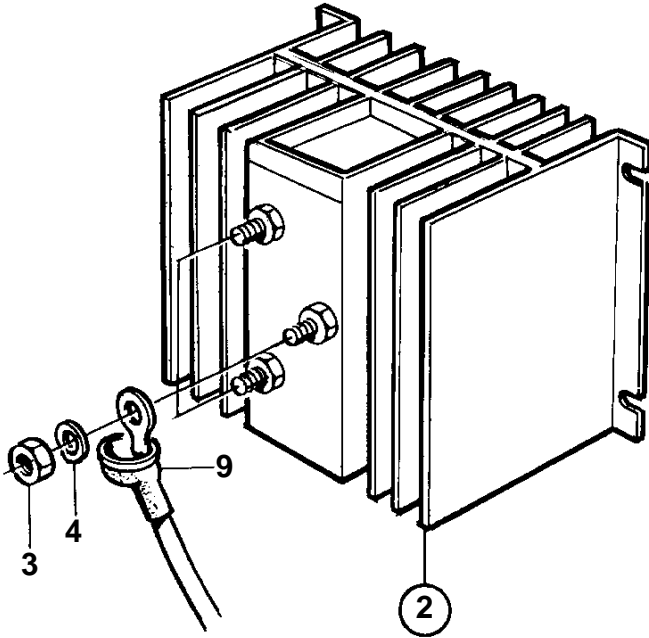


TMD122A, TAMD122A, TAMD122P-A, TAMD122P-B, TAMD122P-C

①



TMD122A, TAMD122A, TAMD122P-A, TAMD122P-B, TAMD122P-C

| REF | PART NO. | QTY | DESCRIPTION | SEE SEC. | NOTES |
|-----|----------|-----|----------------------|----------|---|
| 1 | 873120 | 1 | Charge distributor | | For charging of 2 batteries.. For alternators 12-28V up to 60A. Charging Distributor |
| | | | Bulletin 52-07 | 52-07-EN | |
| | | | Bulletin 52-11 | 52-11-EN | |
| 2 | 872928 | 1 | • Charge distributor | | |
| 3 | 955846 | 3 | • Nut | | |
| 4 | 941906 | 3 | • Spring washer | | |
| 5 | 859492 | 1 | • Spring nut | | |
| 6 | 859493 | 1 | • Protecting casing | | |
| 7 | 955126 | 1 | • Screw | | |
| 8 | 948211 | 1 | • Strip clamp | | |
| 9 | | X | Electrical materials | 1963 | |