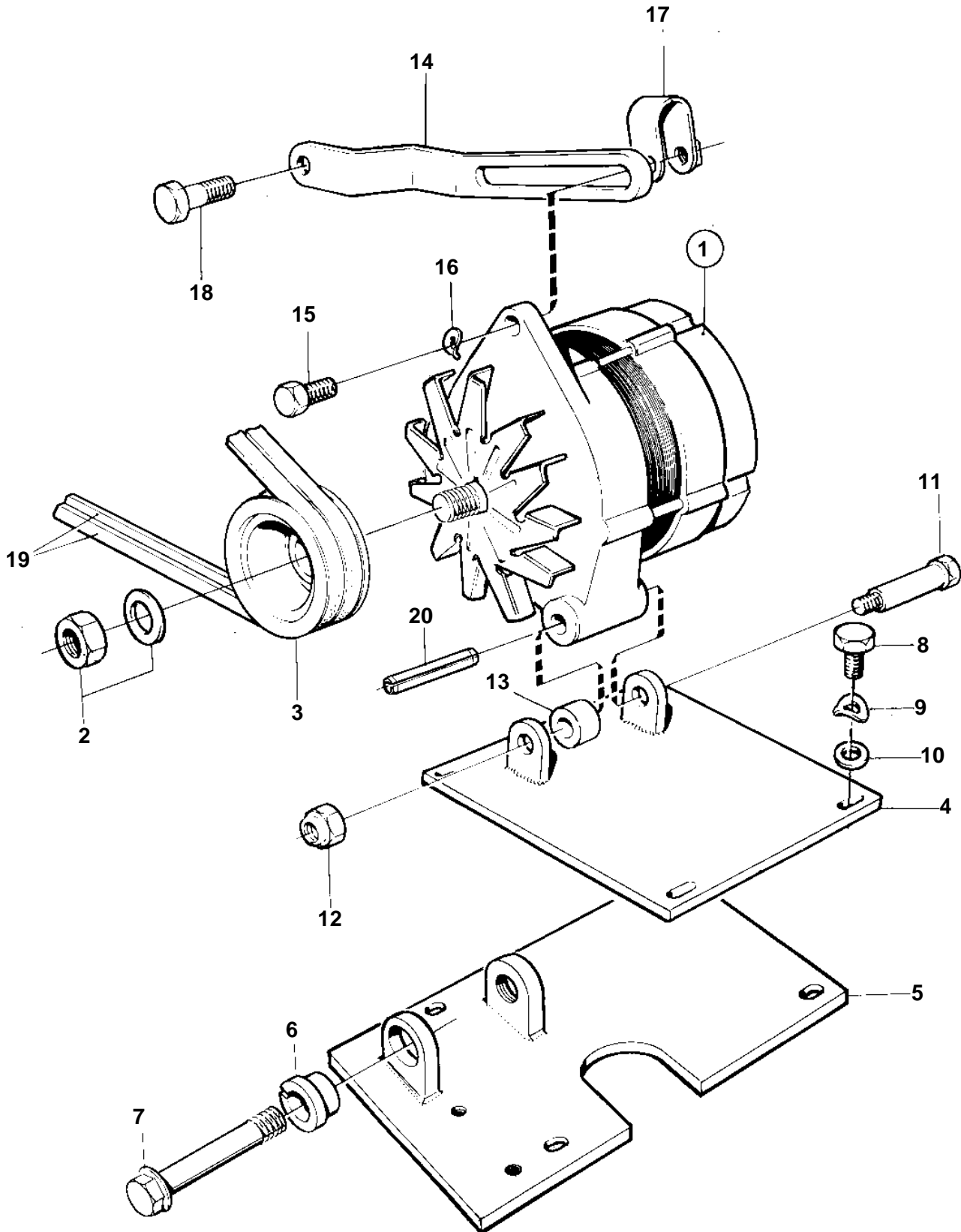


TMD122A, TAMD122A, TAMD122P-A, TAMD122P-B, TAMD122P-C



16776

TMD122A, TAMD122A, TAMD122P-A, TAMD122P-B, TAMD122P-C

REF	PART NO.	QTY	DESCRIPTION	SEE SEC.	NOTES
1	849563	1	Alternator		SN-1101019500/XXXXXX. When reconditioning or when the carbons are to be replaced, use carbons brush kit 876001.
				1465	
	863955	1	Alternator		SN-1101038358/XXXXXX. 28V 60A. For 24 voltage electric system.
			Bulletin 45-02A	45-02A-EN	Alternator
1				1383	
	872021	1	Alternator		SN1101038359/XXXXXX-. 28V 60A. For 24 voltage electric system.
				127	
	873771	1	Alternator		(872021)
	3803443	1	Alternator,exch		Exchange unit
				127	
2		1	Mounting kit	127	
3	841812	1	Pulley		
4	823935	1	Bracket		EARLY TYPE. Replaced by 3826075, 1 ea 1675685, 1 ea 966366.
5	3826075	1	Bracket		LATE TYPE. When later model belt guard is installed. See group 26.
6	1675685	1	Spacer sleeve		LATE TYPE. When later model belt guard is installed. See group 26.
7	966366	1	Flange screw		LATE TYPE. When later model belt guard is installed. See group 26.
8	940135	4	Screw		
9	941907	4	Spring washer		
10	955894	4	Washer		
11	822580	1	Screw		
12	950355	1	Nut		
13	912151	1	Spacer ring		
14	846831	1	Tensioner		
15	955298	1	Screw		
16	941907	1	Spring washer		
17	466735	1	Tensioning eyelet		
18	955536	1	Screw		
19	966870	1	V-belt kit		
20	1610144	1	Pin		SN1101038359/XXXXXX-