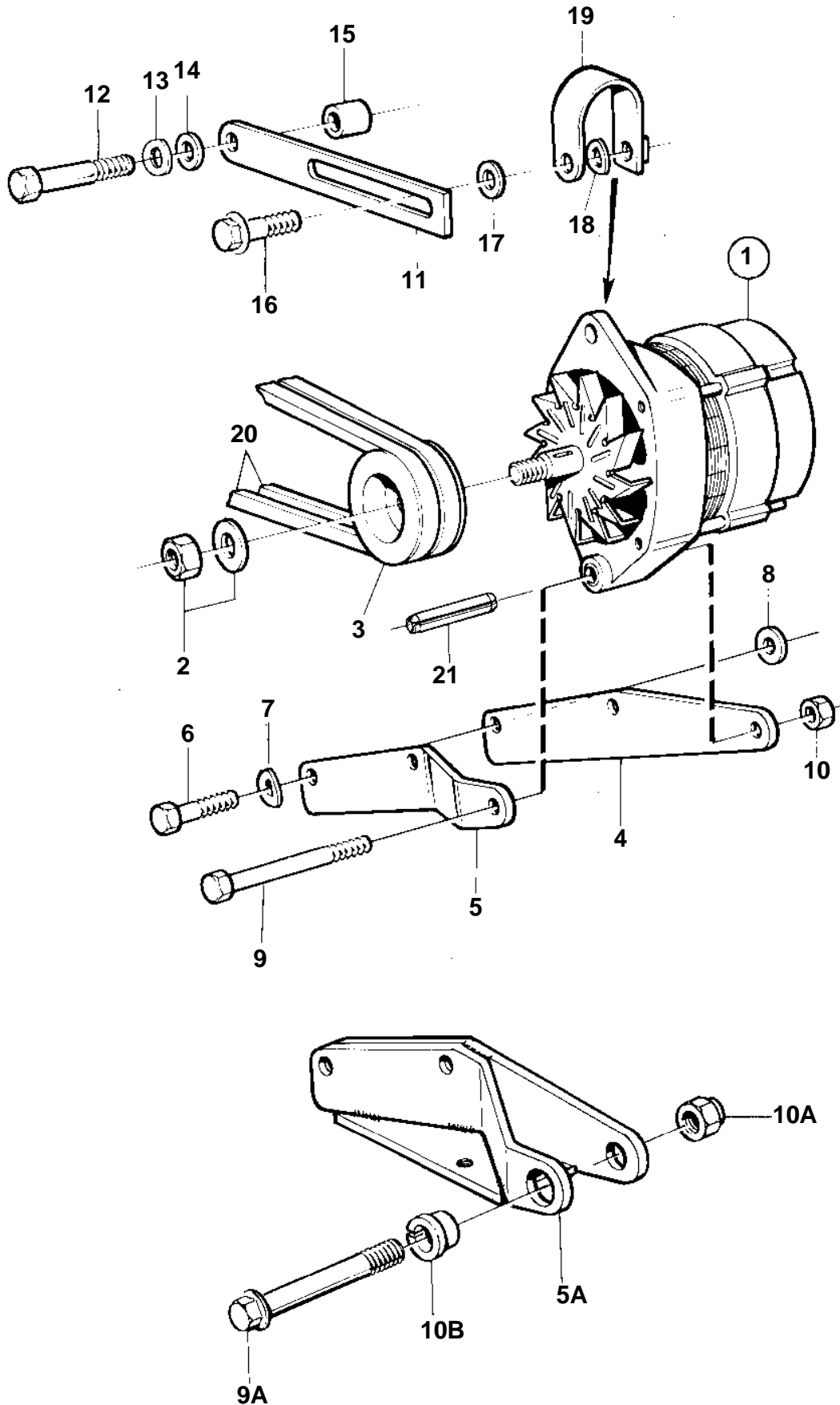


TAMD122A, TAMD122P-A, TAMD122P-B, TAMD122P-C



TAMD122A, TAMD122P-A, TAMD122P-B, TAMD122P-C

REF	PART NO.	QTY	DESCRIPTION	SEE SEC.	NOTES
1	849563	1	Alternator		SN-1101019500/XXXXXX. 28V 55A. For 24 voltage electric system.
				1465	
	863955	1	Alternator		SN-1101038358/XXXXXX. 28V 60A. For 24 voltage electric system.
			Bulletin 45-02A	45-02A-EN	Alternator
1				1383	
	872021	1	Alternator		SN1101038359/XXXXXX-. 28V 60A. For 24 voltage electric system.
				127	
	873771	1	Alternator		(872021)
	3803443	1	Alternator,exch		Exchange unit
				127	
2		1	· Mounting kit	127	
3	841812	1	Pulley		
4	863915	1	Bracket		EARLY TYPE. Replaced by 3825249, 1 ea 966367, 1 ea 971085.
5	863914	1	Bracket		EARLY TYPE. Replaced by 3825249, 1 ea 966367, 1 ea 971085.
5A	3825942	2	Bracket		LATE TYPE. When later model belt guard is installed. See group 26.
6	955538	2	Screw		
7	942336	2	Spring washer		
8	960142	2	Washer		
9	955556	1	Screw		
9A	966367	1	Flange screw		When later model belt guard is installed. See group 26.
10	950355	1	Nut		
10A	971085	1	Lock nut		When later model belt guard is installed. See group 26.
10B	1675685	1	Spacer sleeve		When later model belt guard is installed. See group 26.
11	864721	1	Tensioner		
12	942338	1	Screw		
13	942336	1	Spring washer		
14	940097	1	Washer		
15	822779	1	Spacer sleeve		
16	948217	1	Flange screw		
17	976944	1	Washer		
18	941907	1	Spring washer		
19	466734	1	Tensioning eyelet		
20	966972	1	V-belt kit		
21	1610144	1	Pin		SN1101038359/XXXXXX-