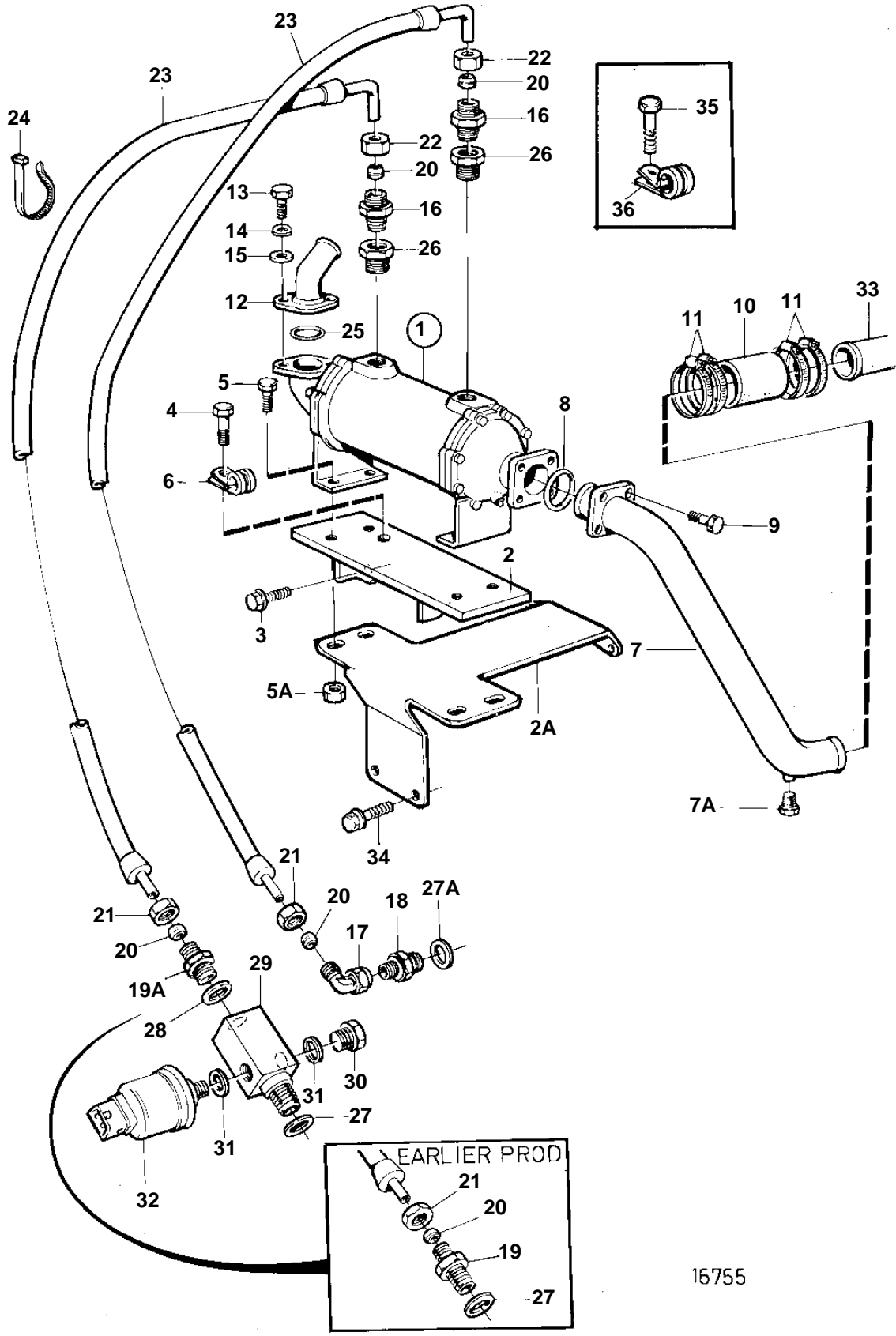


TAMD122A, TAMD122P-A, TAMD122P-B, TAMD122P-C



TAMD122A, TAMD122P-A, TAMD122P-B, TAMD122P-C

REF	PART NO.	QTY	DESCRIPTION	SEE SEC.	NOTES
1		1	Oil cooler	1369	
2A	3826275	1	Bracket		
5	946173	4	Flange screw		
5A	948645	4	Lock nut		
7	863817	1	Tube		
7A	861551	1	Plug		
8	843584	1	Sealing ring		
9	946173	4	Flange screw		
10	952980	X	Rubber hose		L=110mm
11	961672	4	Clamp		
12	863838	1	Tube		
13	940135	2	Screw		
14	941907	2	Spring washer		
15	191172	2	Washer		
16	968132	2	Nipple		
17	964016	1	Nipple		NOT FOR IRM311A-EB
18	963948	1	Nipple		M16
19A	963959	1	Nipple		
20	980782	4	Ferrule		(1677808)
21	956984	2	Nut		
22	941331	2	Nut		
23	3826966	2	Hose		
24	948211	3	Strip clamp		
25	925092	1	O-ring		
26	949707	2	Nipple		
27	948883	2	Gasket		
28	947624	1	Gasket		
29	864064	1	Nipple		
30	960632	1	Plug		
31	947624	2	Gasket		
32	866839	1	Pressure sensor		SE GROUP 30
33		1	Tubeheat exchanger		
34	946752	2	Flange screw		
35	946441	1	Screw		
36	949747	1	Clamp		