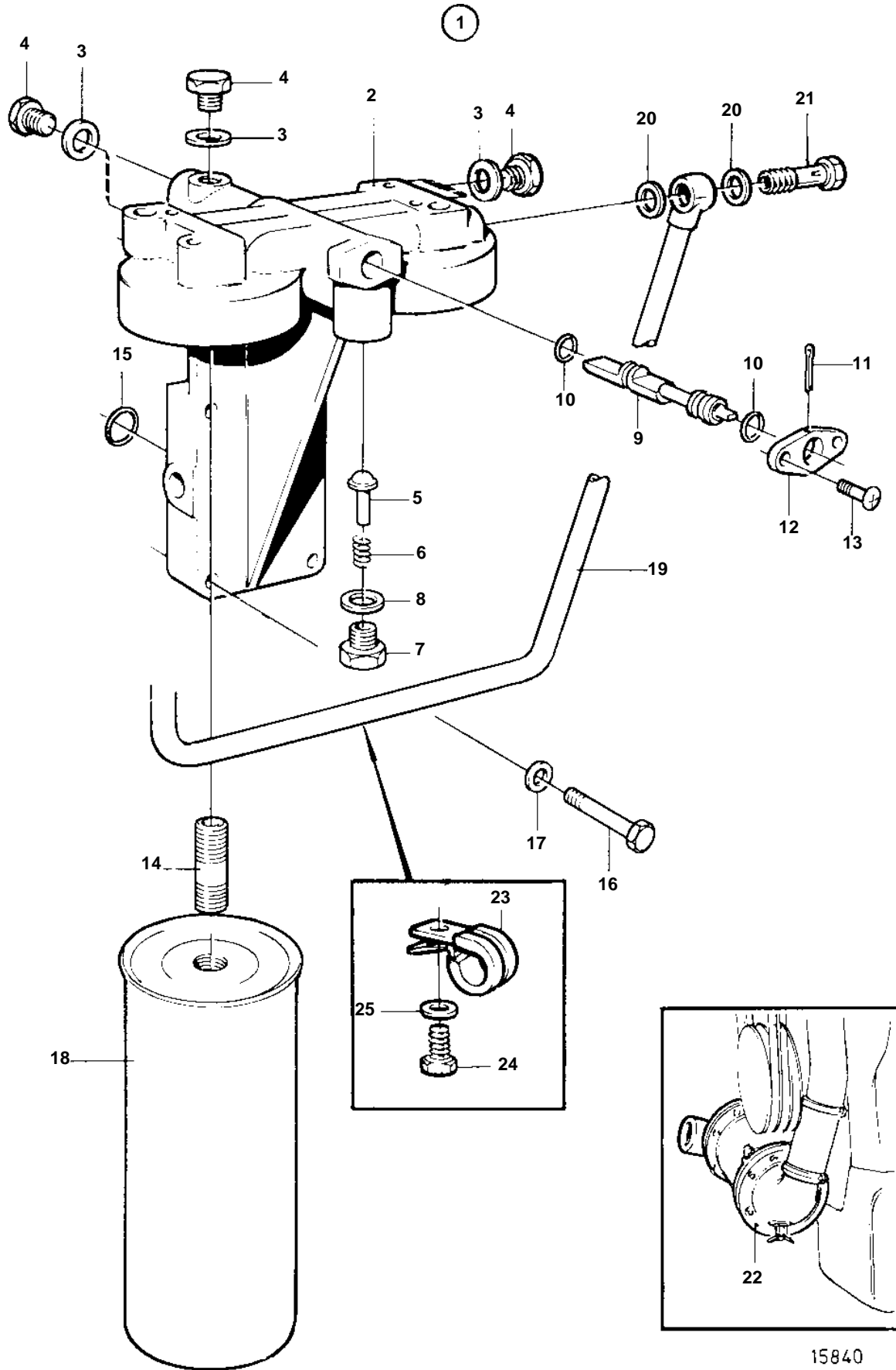


TMD122A



15840

TMD122A

REF	PART NO.	QTY	DESCRIPTION	SEE SEC.	NOTES
1			Oil filter housingwith shift valve		
2	846999	1	Bracket		
3	957180	5	Gasket		
4	914391	5	Plug		
5	471085	1	Valve		
6	466653	1	Spring		
7	466624	1	Plug		
8	18677	1	Gasket		
9	824198	1	Shift valve		
10	925057	2	Rubber ring		
11	907868	1	Cotter pin		
12	824195	1	Flange		
13		2	Screw		
14	466623	2	Nipple		
15	949657	2	O-ring		
16	955537	4	Screw		
17	942336	4	Spring washer		
18	466634	2	Oil filter		
19	842830	1	Delivery pipe		For piston cooling.
20	947624	2	Gasket		
21	190714	1	Hollow screw		
22		1	Oil cooler	2223	
23	952627	1	Clamp		
24	940100	1	Screw		
25	941906	1	Spring washer		