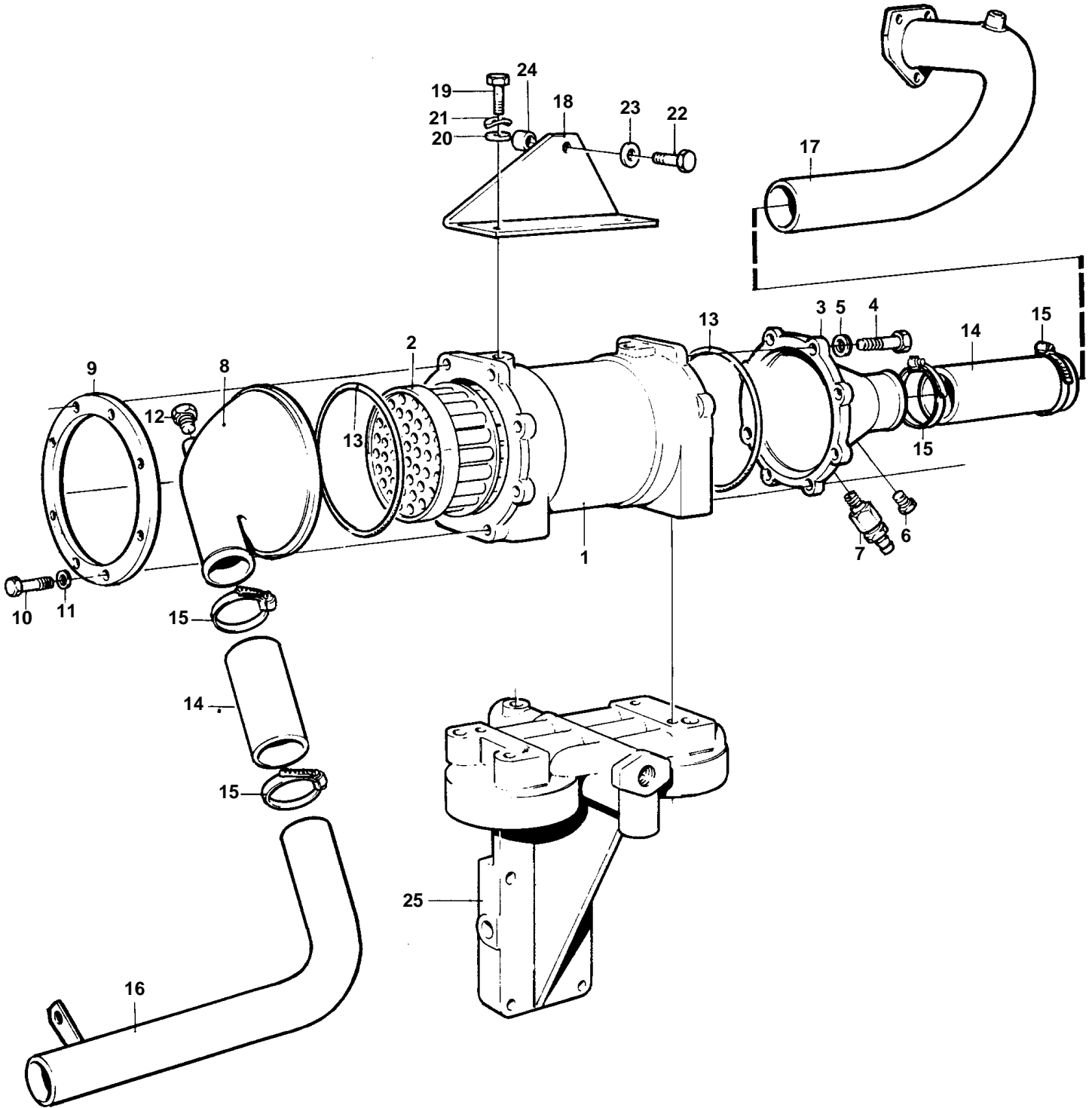


TMD122A



11629

## TMD122A

REF	PART NO.	QTY	DESCRIPTION	NOTES
1	849410	1	Housing	
2	3825932	1	Insert	
3	836888	1	End cover	
4	940094	8	Screw	
5	941906	8	Spring washer	
6	838928	1	Plug	
7	949918	1	Drain cock	
8	823803	1	End plate	
9	823802	1	Clamping ring	
10	955514	8	Screw	
11	941906	8	Spring washer	
12	981749	1	Plug	
13	925027	2	O-ring	
14	952980	X	Rubber hose	L=110mm
15	961673	4	Clamp	
16		1	Tube	Oil cooler - oil cooler, reverse gear
17	847560	1	Tube	Circulation pump - oil cooler.
18	3826058	1	Support	(843570)
19	955513	2	Screw	
20	941906	2	Spring washer	
21	955893	2	Washer	
22	955533	1	Screw	FOR 843570
	955535	1	Screw	FOR 3826058
23	941907	1	Spring washer	FOR 843570
	942336	1	Spring washer	FOR 3826058
24	821540	1	Spacer sleeve	FOR 843570
	829653	1	Spacer sleeve	FOR 3826058
25		1	Oil filter housing	