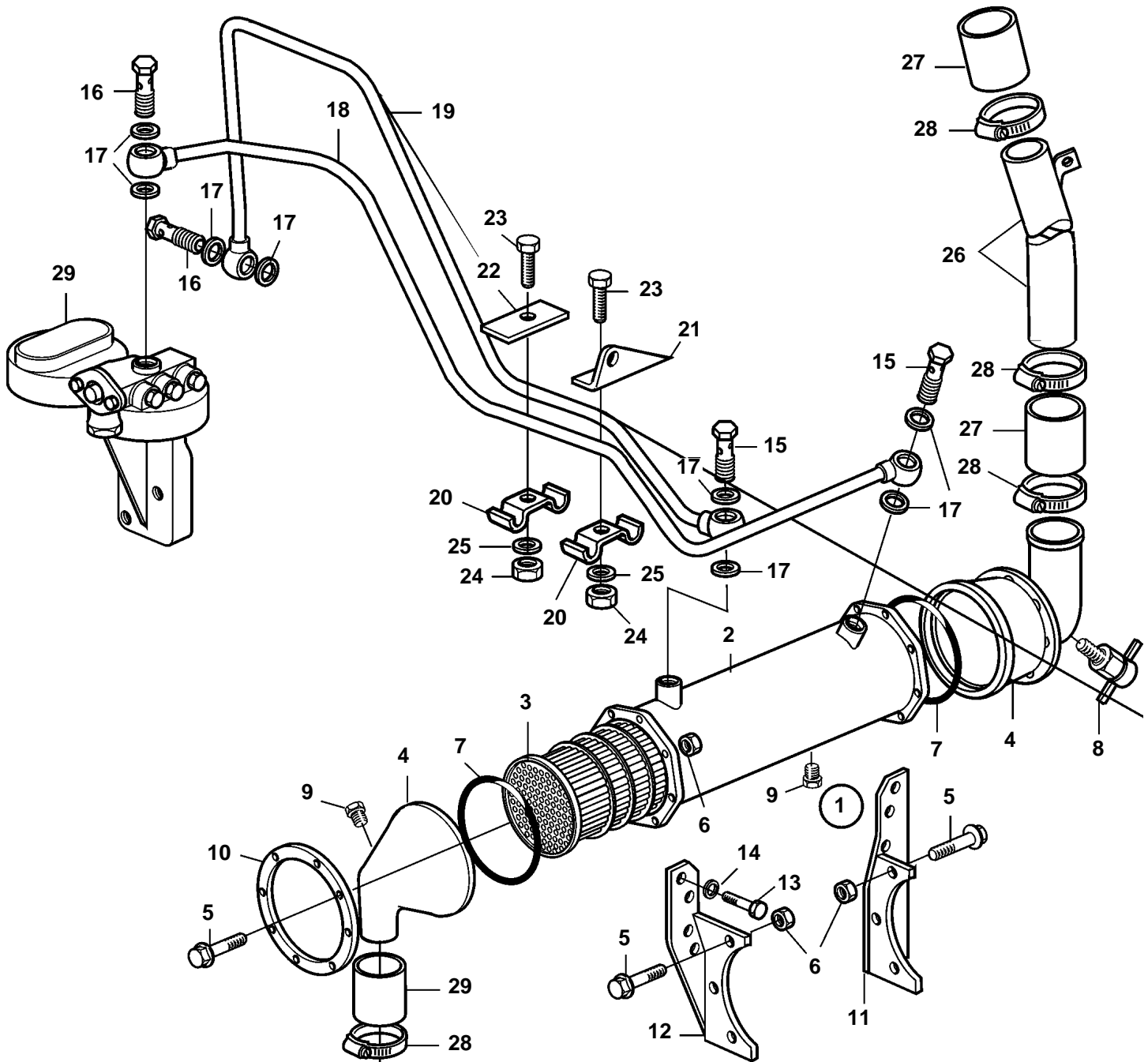


TMD122A



19515

TMD122A

| REF | PART NO. | QTY | DESCRIPTION | SEE SEC. | NOTES |
|-----|----------|-----|-----------------|----------|----------|
| 1 | 3826144 | 1 | Oil cooler | | (864229) |
| 2 | | 1 | · Housing | | |
| 3 | 3825932 | 1 | · Insert | | (864213) |
| 4 | 823803 | 2 | · End plate | | |
| 5 | 955515 | 16 | · Screw | | |
| 6 | 955825 | 16 | · Nut | | |
| 7 | 925027 | 2 | · O-ring | | |
| 8 | 82744 | 1 | · Tap | | |
| 9 | 981749 | 2 | · Plug | | |
| 10 | 823802 | 2 | · Clamping ring | | |
| 11 | 821058 | 1 | Bracket | | |
| 12 | 821061 | 1 | Bracket | | |
| 13 | 955544 | 2 | Screw | | L=102mm |
| | 940115 | 2 | Screw | | L=25mm |
| 14 | 942336 | 4 | Spring washer | | |
| 15 | 191929 | 2 | Hollow screw | | |
| 16 | 191157 | 2 | Hollow screw | | |
| 17 | 947627 | 8 | Gasket | | |
| 18 | | 1 | Tube | | |
| 19 | | 1 | Tube | | |
| 20 | 942421 | 2 | Clamp | | |
| 21 | | 1 | Anchorage | | |
| 22 | 821076 | 1 | Clamp | | |
| 23 | 940100 | 2 | Screw | | |
| 24 | 955825 | 2 | Nut | | |
| 25 | 941906 | 2 | Spring washer | | |
| 26 | 820639 | 1 | Tube | | |
| 27 | 952980 | X | Rubber hose | | L=130mm |
| 28 | 943480 | 4 | Clamp | | |
| 29 | | 1 | Shift valve | | |
| | | | | 2047 | |